

**SPECIFICATIONS:**


- ① **COVER:** 14GA (.079) GALV STEEL, STIFFENED TO WITHSTAND A LIVE LOAD OF 40PSF WITH A MAX DEFLECTION OF 1/150 OF THE SPAN.
- ② **CURB:** 14GA (.079) GALV STEEL CURB COUNTERFLASH WITH EZ TABS.
- ③ **FINISH:** HIGH REFLECT WHT POWDER COAT
- ④ **INSULATION:** 1" POLYISO R-6 (5.6 LTR) IN CURB, 1" POLYSTYRENE R-4 (3.8 LTR) IN COVER.
- ⑤ **GASKET:** EXTRUDED EPDM RUBBER ADHESIVE BACKED GASKET SEAL CONTINUOUS AROUND COVER.
- ⑥ **SPRING:** GAS SPRING WITH DAMPER FOR SMOOTH, CONTROLLED, COUNTERBALANCED LIFT ASSISTANCE.
- ⑦ **HINGE:** PINTLE HINGE WITH STAINLESS STEEL HINGE PINS.
- ⑧ **HOLD OPEN ARM:** ZINC PLATED STEEL AUTOMATIC HOLD OPEN ARM LOCKS COVER IN FULLY OPEN POSITION WITH RED VINYL GRIP HANDLE PULL RELEASE.

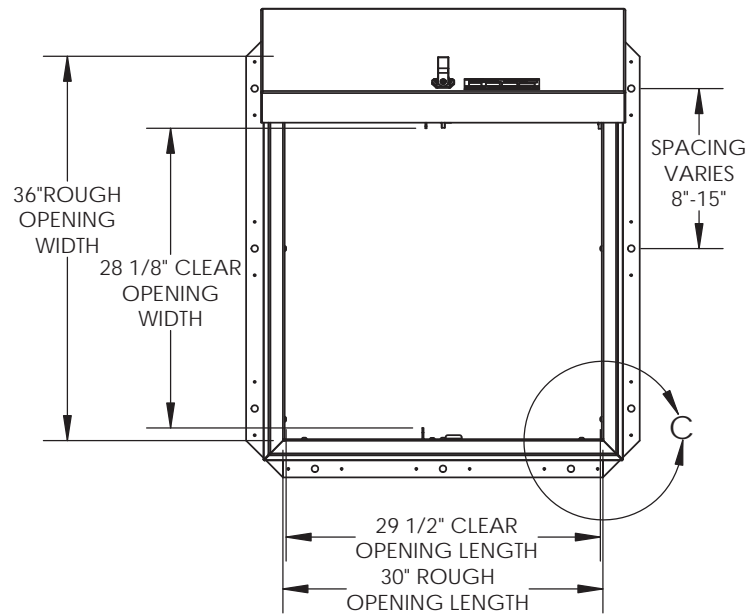
- ⑨ **LATCH:** ZINC PLATED STEEL SLAM LATCH, HOLDS COVER CLOSED AGAINST 20PSF WIND UPLIFT, INTERIOR AND EXTERIOR TURN HANDLES WITH PADLOCK HASPS.
- ⑩ **PULL HANDLE:** INTERIOR PULL DOWN HANDLE, SAFETY YELLOW POWDER COAT

**NOTES:**  
 -WHEN INSTALLING ON A PITCHED ROOF UP TO 7:12, THE HINGE SIDE (LENGTH) MUST BE PARALLEL TO THE SLOPE.  
 - WIDTH X LENGTH DIMENSIONS ARE MEASURED INSIDE CURB TO INSIDE CURB. THE WIDTH IS HINGE TO LATCH AND LENGTH IS HINGED SIDE.

**ROOF HATCH SIZE** 36" (WIDTH) x 30" (LENGTH)  
**CLEAR OPENING** 28" (WIDTH) x 29 1/2" (LENGTH)  
**ROUGH OPENING** 36" (WIDTH) x 30" (LENGTH)

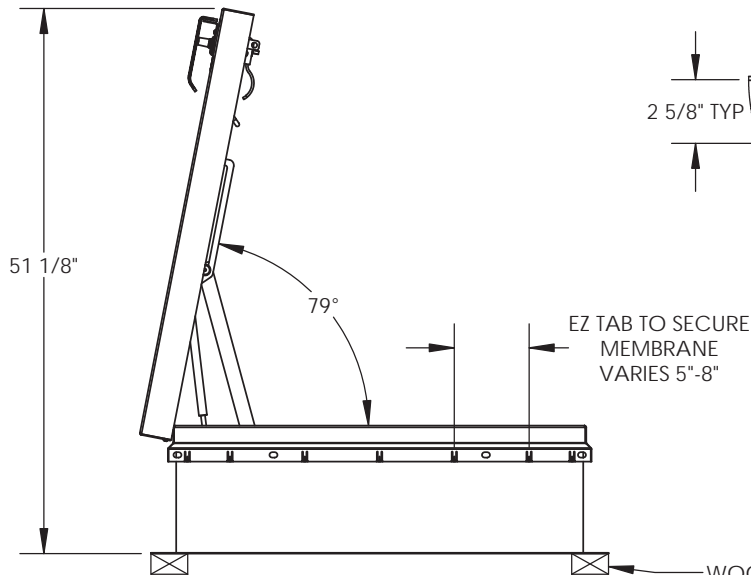
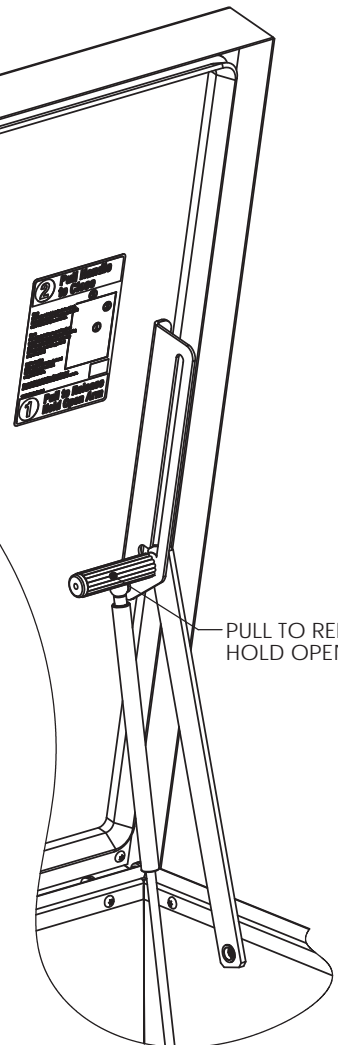
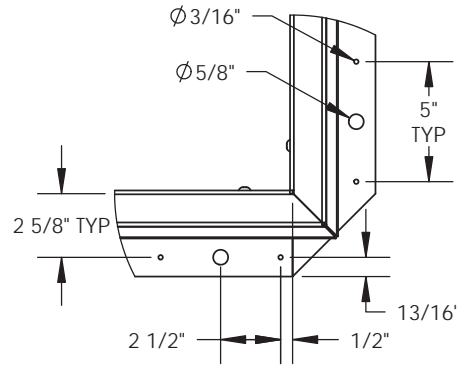
PROPRIETARY AND CONFIDENTIAL: THE INFORMATION CONTAINED IN THIS DRAWING IS THE SOLE PROPERTY OF BABCOCK-DAVIS. ANY REPRODUCTION IN PART OR AS A WHOLE WITHOUT THE WRITTEN PERMISSION OF BABCOCK-DAVIS IS PROHIBITED.

PROJECT:				
ARCHITECT:				
CONTRACTOR:				
QTY:				
PART:	BW3630			
				
9300 73rd Avenue North Brooklyn Park, MN 55428				
TITLE: BRHUW36X30S1T Roof Hatch Personnel II, 36x30, S Dr, Zinc Hdw, Galv, High Reflect Wht Pwd, Sngl Wall Curb				
NAME	DATE	SIZE	DWG. NO.	REV
DRAWN SGS	04/01/15	A	BW3630	-
RELEASED IMT	04/01/15	WEIGHT: 127.5 lbs	SHEET 1 OF 2	



INTERNAL PADLOCK HASP  
SLAM LATCH  
PULL HANDLE

DETAIL C  
SCALE 1 : 8



WOOD, CONCRETE, OTHER MATERIAL FOR MOUNTING BY OTHERS (NIC)

			TITLE: RHPW36X30S1T Roof Hatch Personnel II, 36x30, S Dr, Zinc Hdw, Galv, High Reflect Wht Pwd, Sngl Wall Curb		
9300 73rd Avenue North Brooklyn Park, MN 55428			DWG. NO.	BW3630	
DRAWN	NAME	DATE	SIZE	REV	
RELEASED	SGS	04/01/15	A	-	
IMT		04/01/15	WEIGHT: 127.5 lbs	SHEET 2 OF 2	