

Personnel™

ROOF HATCH

Babcock-Davis' Personnel Roof Hatch is easily customizable and provides safe access to roof areas on your building. Sized for ladder, ship stair, and service stair access with optional safety railings, grab bars and a variety of materials and finishes.



FEATURES

POWDER COAT FINISH The standard (BRHPG) red oxide powder coat finish provides outstanding corrosion resistance, superior gloss and color retention.

INSULATION OPTIONS Available with two inches of polyiso insulation for a thermally efficient design. *Specify the Energy Efficient Roof Hatch with a -IRR.*

DETAILS

MATERIAL OPTIONS

- Aluminum: 11 gauge, mill finish
- Galvanneal Steel: 14 gauge, red oxide or high reflectance white powder coat
- Stainless Steel: Type 304, 14 gauge, 2B matte finish

COVER Formed metal cover with liner, stiffened to withstand a live load of 40psf with a max deflection of 1/150 the span

CURB Single wall curb with EZ tab counterflash and mounting flange

INSULATION 1 inch polystyrene in cover, 1 inch polyiso around curb or optional 2 inch Polyiso in cover and curb; R-12, specify -IRR

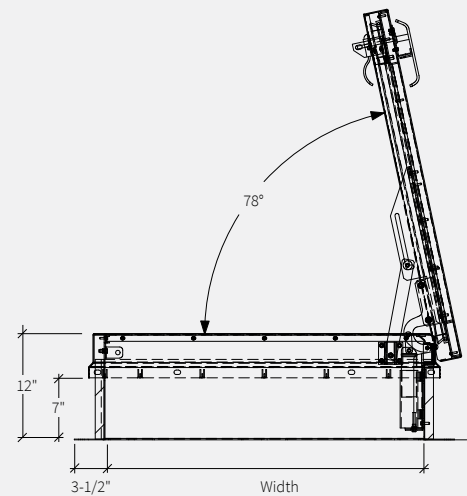
GASKET Extruded EPDM adhesive backed gasket seal continuous around cover

SPRING/HINGE ASSEMBLY Zinc plated steel tamper-proof hinges contained within spring assembly, includes steel compression springs

HOLD OPEN ARM Zinc plated steel automatic hold open arm with red vinyl grip handle locks cover in open position

LATCH Zinc plated steel latch with exterior and interior turn handles and padlock hasps; 90psf wind uplift for lengths >60 inch

FINISHES



STANDARD MODELS

GALVANNEAL STEEL RED	GALVANNEAL STEEL WHITE	ALUMINUM	SIZE (IN.)	ACCESS
BRHPG30X72S1T	BRHPW30X72S1T	BRHPA30X72S1T	30 x 72	Ship Stair or Alternating Tread
BRHPG30X77S1T	BRHPW30X77S1T	BRHPA30X77S1T	30 x 77	Ship Stair or Alternating Tread
BRHPG30X96S1T	BRHPW30X96S1T	BRHPA30X96S1T	30 x 96	Service Stair
BRHPG36X96S1T	BRHPW36X96S1T	BRHPA36X96S1T	36 x 96	Service Stair

Additional sizes and options available, call for more information.