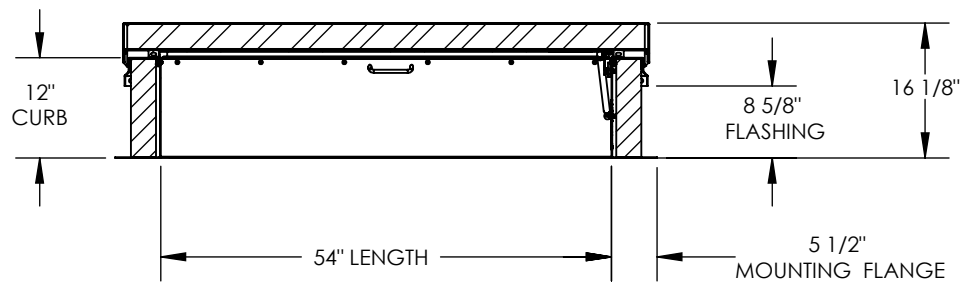
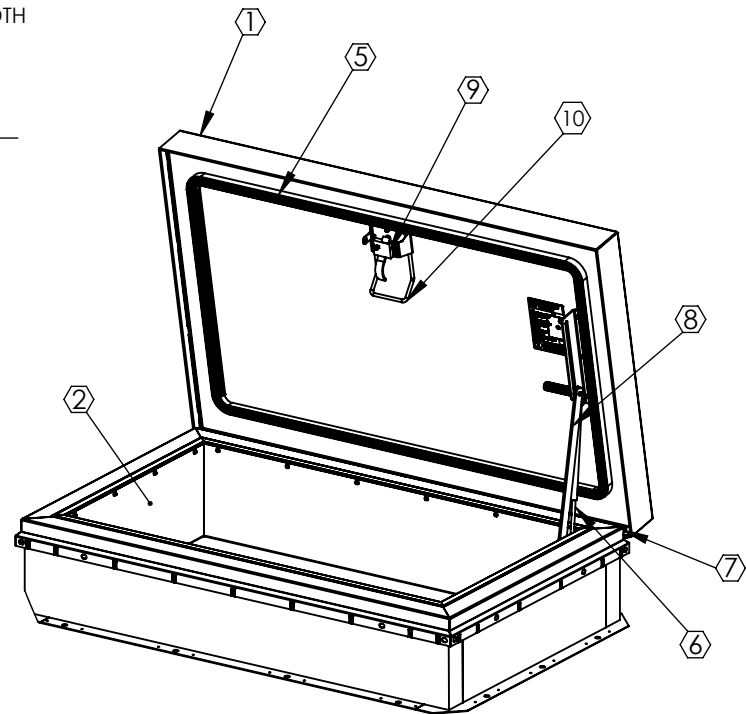


SECTION A-A



SECTION B-B



SPECIFICATIONS:

- ① **COVER:** 11 GA (.090)ALUMINUM ,STIFFENED TO WITHSTAND A LIVE LOAD OF 40PSF WITH A MAX DEFLECTION OF 1/150 OF THE SPAN.
- ② **CURB:** 11 GA (.090)ALUMINUM CURB COUNTERFLASH WITH EZ TABS.
- ③ **FINISH:** MILL
- ④ **INSULATION:** 3" POLYISO R-20 IN CURB,
3" POLYISO R-20 IN COVER.
- ⑤ **GASKET:** EXTRUDED EPDM RUBBER ADHESIVE BACKED GASKET SEAL CONTINUOUS AROUND COVER.
- ⑥ **SPRING:** GAS SPRING WITH DAMPER FOR SMOOTH, CONTROLLED, COUNTERBALANCED LIFT ASSISTANCE.
- ⑦ **HINGE:** PINTLE HINGE WITH STAINLESS STEEL HINGE PINS.
- ⑧ **HOLD OPEN ARM:** ZINC PLATED STEEL AUTOMATIC HOLD OPEN ARM LOCKS COVER IN FULLY OPEN POSITION WITH RED VINYL GRIP HANDLE PULL RELEASE.

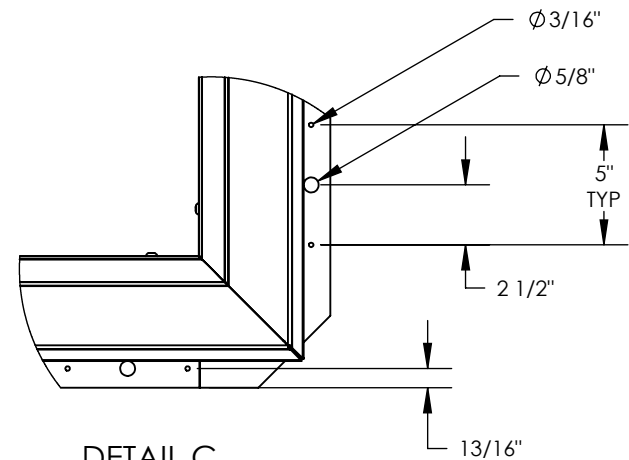
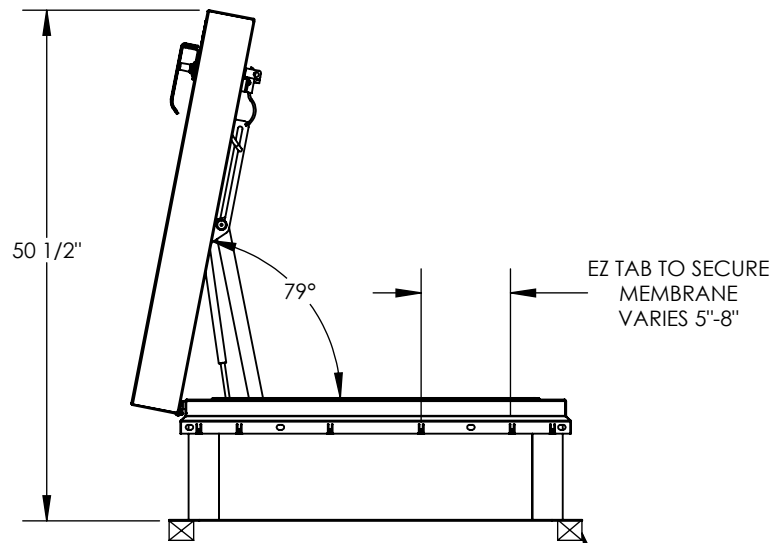
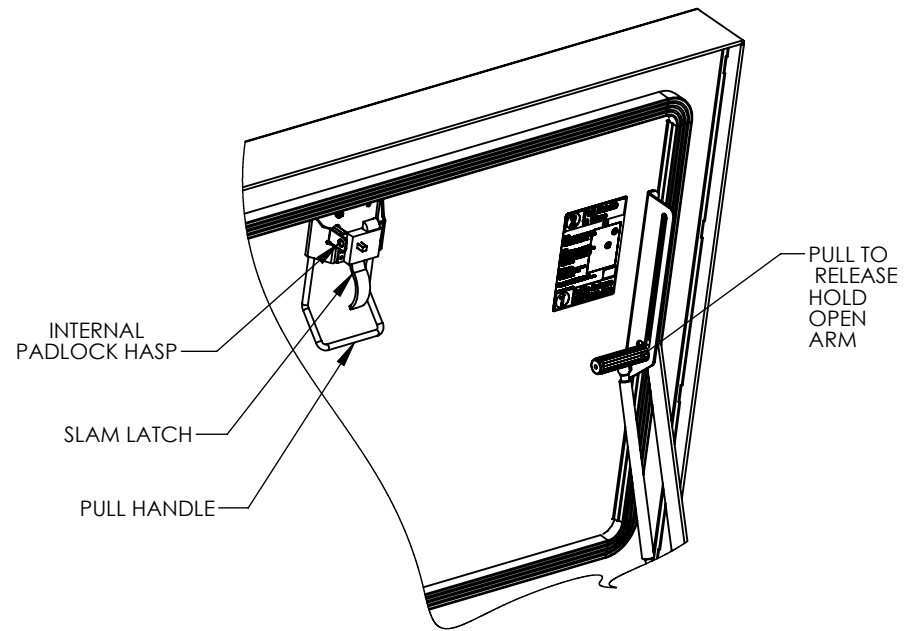
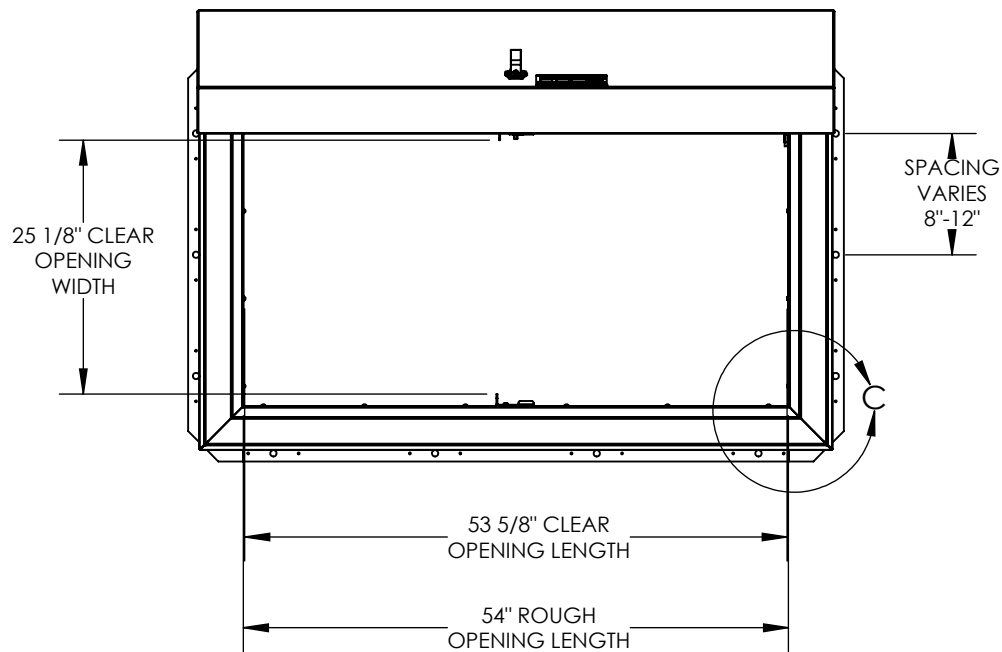
- ⑨ **LATCH:** ZINC PLATED STEEL SLAM LATCH, HOLDS COVER CLOSED AGAINST 20PSF WIND UPLIFT, INTERIOR AND EXTERIOR TURN HANDLES WITH PADLOCK HASPS.
- ⑩ **PULL HANDLE:** INTERIOR PULL DOWN HANDLE, SAFETY YELLOW POWDER COAT

NOTES:
 -WHEN INSTALLING ON A PITCHED ROOF UP TO 7:12, THE HINGE SIDE(LENGTH)MUST BE PARALLEL TO THE SLOPE.
 - WIDTH X LENGTH DIMENSIONS ARE MEASURED INSIDE CURB TO INSIDE CURB. THE WIDTH IS HINGE TO LATCH AND LENGTH IS HINGED SIDE.

ROOF HATCH SIZE 30" (WIDTH) x 54" (LENGTH)
CLEAR OPENING 25 1/8"(WIDTH) x 53 5/8" (LENGTH)
ROUGH OPENING 30" (WIDTH) x 54" (LENGTH)

PROPRIETARY AND CONFIDENTIAL: THE INFORMATION CONTAINED IN THIS DRAWING IS THE SOLE PROPERTY OF BABCOCK DAVIS. ANY REPRODUCTION IN PART OR AS A WHOLE WITHOUT THE WRITTEN PERMISSION OF BABCOCK DAVIS IS PROHIBITED.

PROJECT:			
ARCHITECT:			
CONTRACTOR:			
QTY:			
PART:		BRHTA30X54S1T	
		TITLE:	
		Roof Hatch, ThermalMAX 30x54, Sngl Dr, Alum, Mill, Sngl Wall Curb	
9300 73rd Avenue North Brooklyn Park, MN 55428		NAME	DATE
DRAWN	Rak	10/26/16	SIZE
RELEASED	IMT	10/26/16	DWG. NO.
		BRHTA30X54S1T	
		WEIGHT: 63 lbs	
		REV	
		-	
		SHEET 1 OF 2	



DETAIL C
SCALE 1 : 8

WOOD, CONCRETE, OTHER MATERIAL FOR MOUNTING BY OTHERS (NIC)

			TITLE: Roof Hatch, ThermalMAX 30x54, Sngl Dr, Alum, Mill, Sngl Wall Curb		
9300 73rd Avenue North Brooklyn Park, MN 55428					
NAME	DATE	SIZE	DWG. NO.	REV	
Rak	10/26/16	A	BRHTA30X54S1T	-	
RELEASED			WEIGHT: 63 lbs	SHEET 2 OF 2	