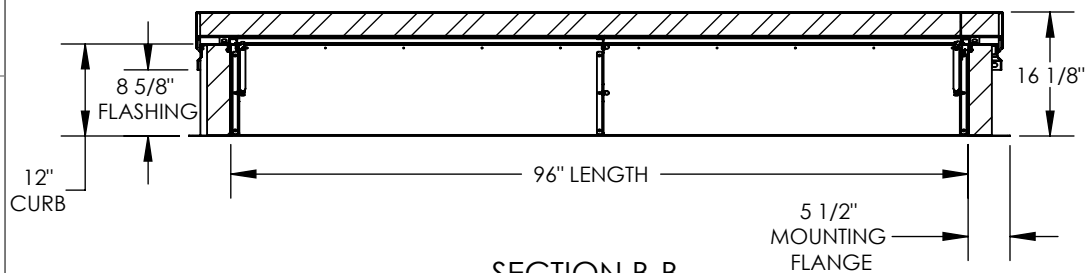
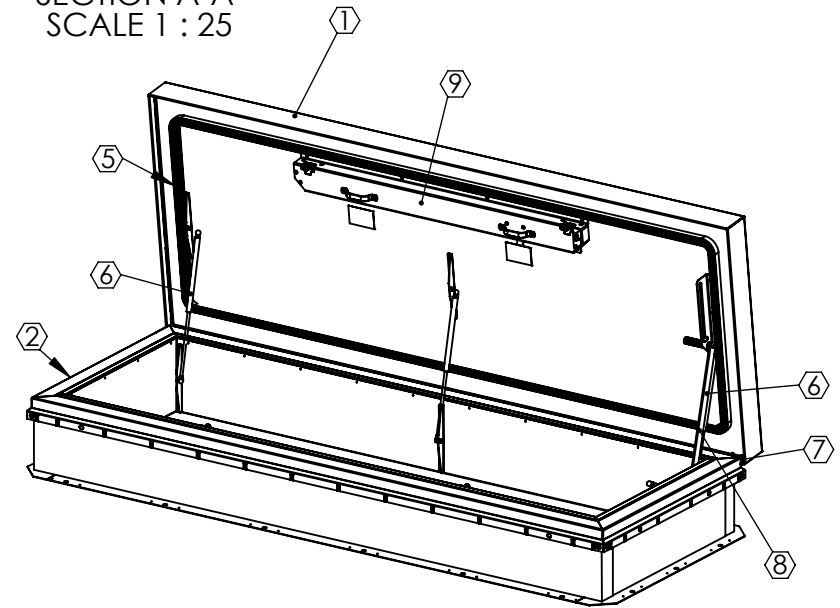


SECTION A-A
SCALE 1 : 25



SECTION B-B
SCALE 1 : 25



SPECIFICATIONS:

- ① **COVER:** 11 GA (.090)ALUMINUM ,STIFFENED TO WITHSTAND A LIVE LOAD OF 40PSF WITH A MAX DEFLECTION OF 1/150 OF THE SPAN.
- ② **CURB:** 11 GA (.090)ALUMINUM CURB COUNTERFLASH WITH EZ TABS.
- ③ **FINISH:** MILL
- ④ **INSULATION:** 3" POLYISO R-20 IN CURB,
3" POLYISO R-20 IN COVER.
- ⑤ **GASKET:** EXTRUDED EPDM RUBBER ADHESIVE BACKED GASKET SEAL CONTINUOUS AROUND COVER.
- ⑥ **SPRING:** GAS SPRING WITH DAMPER FOR SMOOTH, CONTROLLED, COUNTERBALANCED LIFT ASSISTANCE.
- ⑦ **HINGE:** PINTLE HINGE WITH STAINLESS STEEL HINGE PINS.
- ⑧ **HOLD OPEN ARM:** ZINC PLATED STEEL AUTOMATIC HOLD OPEN ARM LOCKS COVER IN FULLY OPEN POSITION WITH RED VINYL GRIP HANDLE PULL RELEASE.

- ⑨ **LATCH:** ZINC PLATED STEEL 2 POINT ROTARY LATCH, HOLDS COVER CLOSED AGAINST 20PSF WIND UPLIFT, INTERIOR AND EXTERIOR TURN HANDLES WITH PADLOCK HASPS.

NOTES:

- WHEN INSTALLING ON A PITCHED ROOF UP TO 7:12, THE HINGE SIDE(LENGTH)MUST BE PARALLEL TO THE SLOPE.
- WIDTH X LENGTH DIMENSIONS ARE MEASURED INSIDE CURB TO INSIDE CURB. THE WIDTH IS HINGE TO LATCH AND LENGTH IS HINGED SIDE.

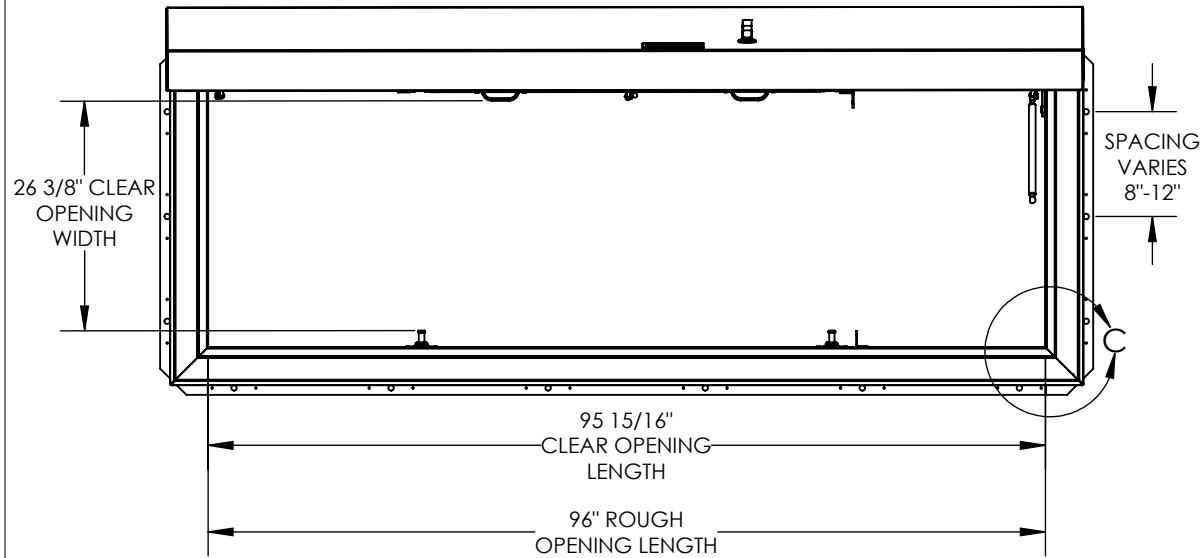
ROOF HATCH SIZE 30" (WIDTH) x 96" (LENGTH)
CLEAR OPENING 26.4" (WIDTH) x 95.54" (LENGTH)
ROUGH OPENING 30" (WIDTH) x 96" (LENGTH)

PROPRIETARY AND CONFIDENTIAL: THE INFORMATION CONTAINED IN THIS DRAWING IS THE SOLE PROPERTY OF BABCOCK-DAVIS. ANY REPRODUCTION IN PART OR AS A WHOLE WITHOUT THE WRITTEN PERMISSION OF BABCOCK-DAVIS IS PROHIBITED.

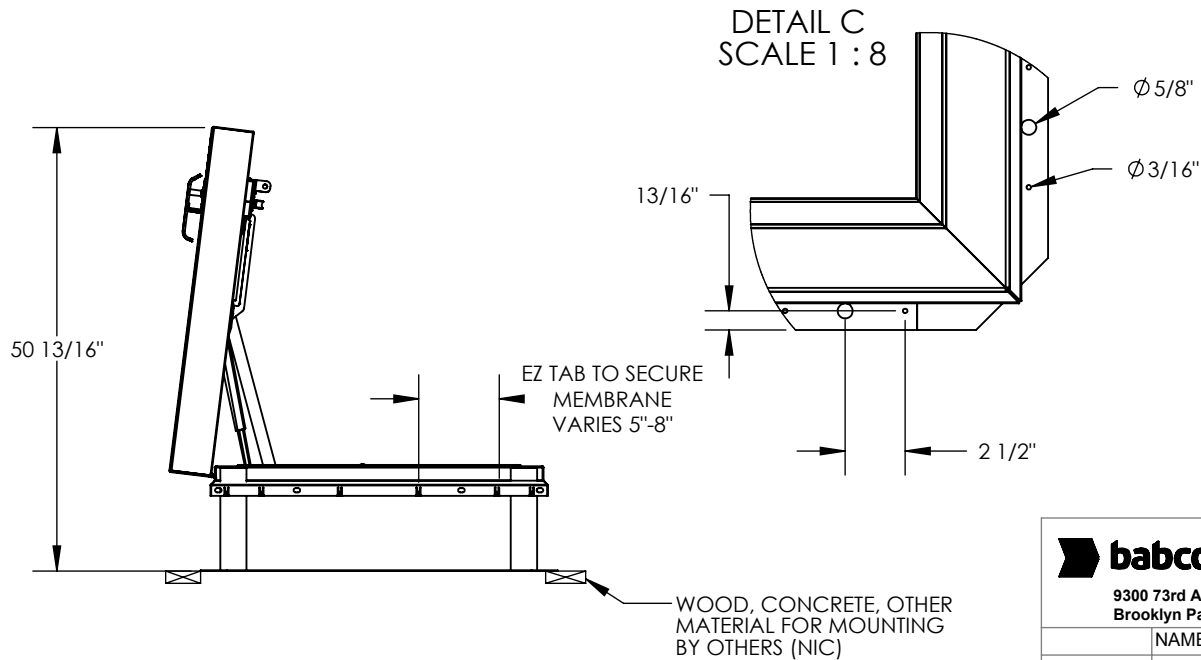
PROJECT:					
ARCHITECT:					
CONTRACTOR:					
QTY:					
PART#:		BRHTA30X96S1T			
 9300 73rd Avenue North Brooklyn Park, MN, 55428		TITLE: Roof Hatch, Thermally Broken, Personnel II, 30 x 96, Sngl Dr, Alum, Mill, Sngl Wall Curb			
		NAME	DATE	SIZE	DWG. NO.
DRAWN	SGS	1/5/18	A	Babcock RH BRHTA30X96S1T ShpDr	A
RELEASED	IMT	1/5/18	WEIGHT: 260 lbs		SHEET 1 OF 2

B

B



A



PROPRIETARY AND CONFIDENTIAL: THE INFORMATION CONTAINED IN THIS DRAWING IS THE SOLE PROPERTY OF BABCOCK-DAVIS. ANY REPRODUCTION IN PART OR AS A WHOLE WITHOUT THE WRITTEN PERMISSION OF BABCOCK-DAVIS IS PROHIBITED.

				TITLE: Roof Hatch, Thermally Broken, Personnel II, 30 x96, Sngl Dr, Alum, Mill, Sngl Wall Curb	
9300 73rd Avenue North Brooklyn Park, MN, 55428				DWG. NO.	REV
DRAWN	SGS	1/5/18	A	Babcock RH BRHTA30X96S1T ShpDr	A
RELEASED	IMT	1/5/18	WEIGHT: 260 lbs	SHEET 2 OF 2	