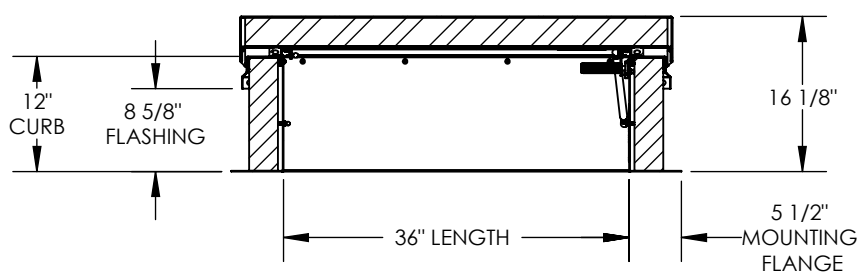
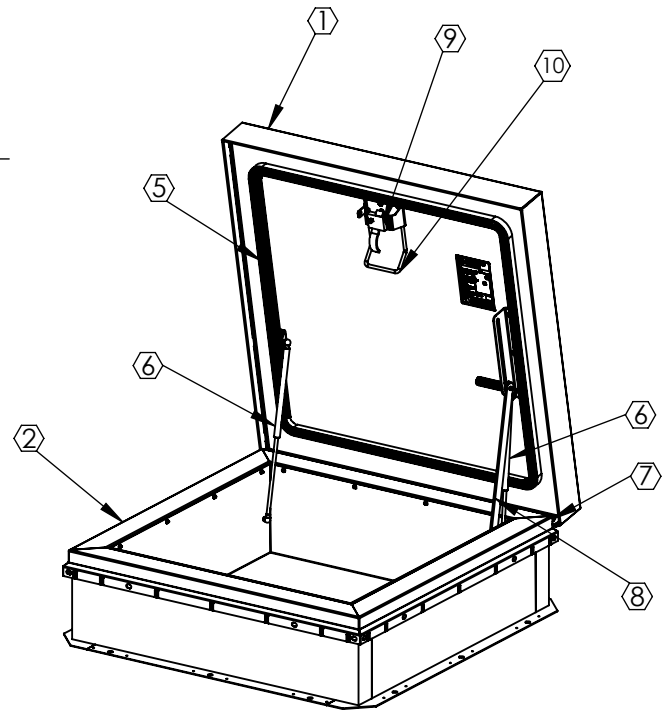


SECTION A-A



SECTION B-B



SPECIFICATIONS:

- ① **COVER:** 11 GA (.090)ALUMINUM ,STIFFENED TO WITHSTAND A LIVE LOAD OF 40PSF WITH A MAX DEFLECTION OF 1/150 OF THE SPAN.
- ② **CURB:** 11 GA (.090)ALUMINUM CURB COUNTERFLASH WITH EZ TABS.
- ③ **FINISH:** MILL
- ④ **INSULATION:** 3" POLYISO R-20 IN CURB,
3" POLYSTYRENE R-20 IN COVER.
- ⑤ **GASKET:** EXTRUDED EPDM RUBBER ADHESIVE BACKED GASKET SEAL CONTINUOUS AROUND COVER.
- ⑥ **SPRING:** GAS SPRING WITH DAMPER FOR SMOOTH, CONTROLLED, COUNTERBALANCED LIFT ASSISTANCE.
- ⑦ **HINGE:** PINTLE HINGE WITH STAINLESS STEEL HINGE PINS.
- ⑧ **HOLD OPEN ARM:** ZINC PLATED STEEL AUTOMATIC HOLD OPEN ARM LOCKS COVER IN FULLY OPEN POSITION WITH RED VINYL GRIP HANDLE PULL RELEASE.

- ⑨ **LATCH:** ZINC PLATED STEEL SLAM LATCH, HOLDS COVER CLOSED AGAINST 20PSF WIND UPLIFT, INTERIOR AND EXTERIOR TURN HANDLES WITH PADLOCK HASPS.
- ⑩ **PULL HANDLE:** INTERIOR PULL DOWN HANDLE, SAFETY YELLOW POWDER COAT

NOTES:
 -WHEN INSTALLING ON A PITCHED ROOF UP TO 7:12, THE HINGE SIDE(LENGTH)MUST BE PARALLEL TO THE SLOPE.
 - WIDTH X LENGTH DIMENSIONS ARE MEASURED INSIDE CURB TO INSIDE CURB. THE WIDTH IS HINGE TO LATCH AND LENGTH IS HINGED SIDE.

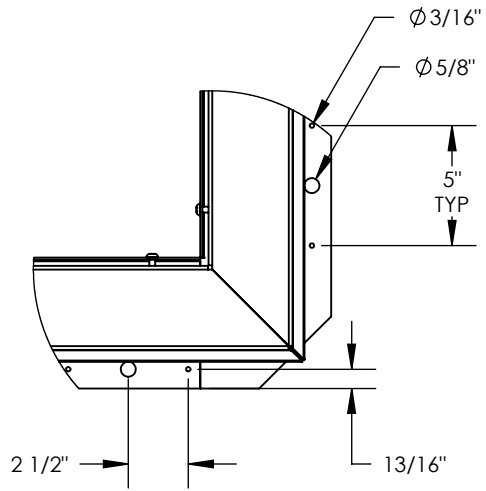
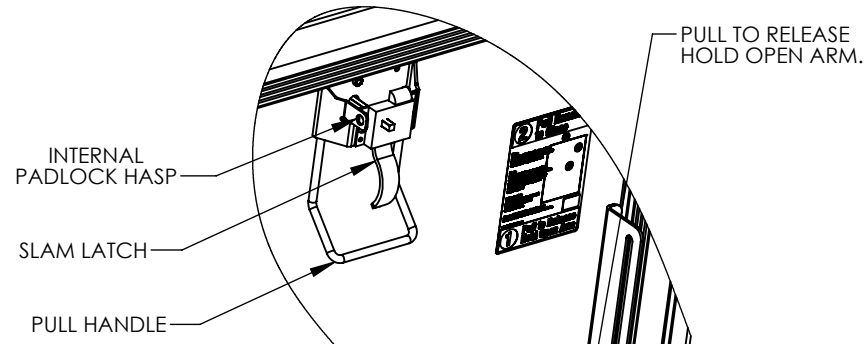
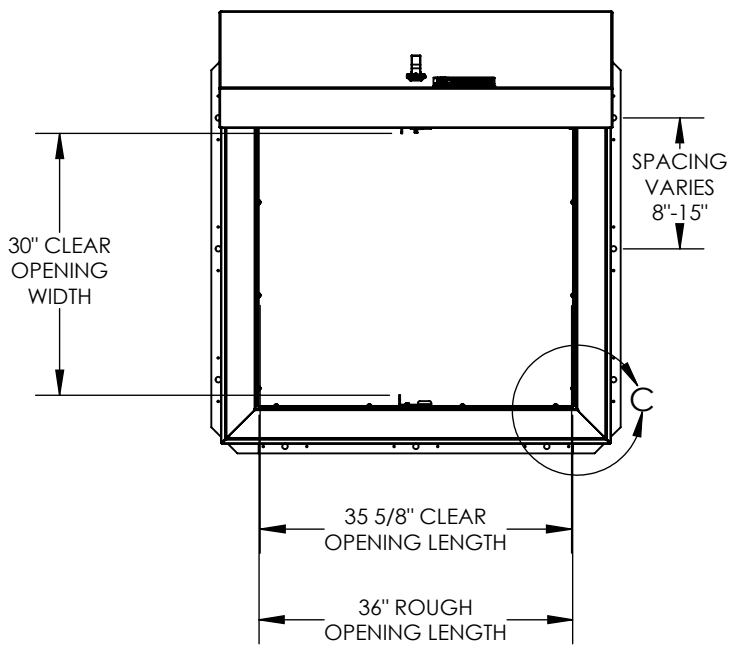
ROOF HATCH SIZE 36" (WIDTH) x 36" (LENGTH)
CLEAR OPENING 30"(WIDTH) x 35 5/8" (LENGTH)
ROUGH OPENING 36" (WIDTH) x 36" (LENGTH)

PROPRIETARY AND CONFIDENTIAL: THE INFORMATION CONTAINED IN THIS DRAWING IS THE SOLE PROPERTY OF BABCOCK DAVIS. ANY REPRODUCTION IN PART OR AS A WHOLE WITHOUT THE WRITTEN PERMISSION OF BABCOCK DAVIS IS PROHIBITED.

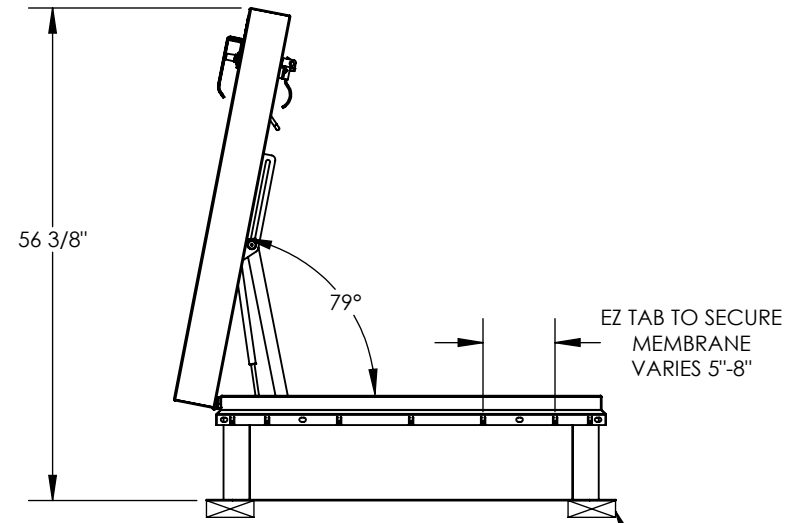
PROJECT:			
ARCHITECT:			
CONTRACTOR:			
QTY:			
PART:		BRHTA36X36S1T	
		TITLE:	
		Roof Hatch, ThermalMAX 36 x 36, Sngl Dr, Alum, Mill, Sngl Wall Curb	
9300 73rd Avenue North Brooklyn Park, MN 55428		NAME	DATE
DRAWN	Rak	11/1/16	SIZE
RELEASED	IMT	11/1/16	DWG. NO.
		BRHTA36X36S1T	
		WEIGHT: 63 lbs	
		REV	
		-	
		SHEET 1 OF 2	

B

B



DETAIL C SCALE 1 : 8



A

			TITLE: Roof Hatch, ThermalMAX 36 x 36, Sngl Dr, Alum, Mill, Sngl Wall Curb		
9300 73rd Avenue North Brooklyn Park, MN 55428			DWG. NO.	BRHTA36X36S1T	
NAME	DATE	SIZE	DWG. NO.	REV	
DRAWN Rak	11/1/16	A		-	
RELEASED IMT	11/1/16		WEIGHT: 63 lbs	SHEET 2 OF 2	

PROPRIETARY AND CONFIDENTIAL: THE INFORMATION CONTAINED IN THIS DRAWING IS THE SOLE PROPERTY OF BABCOCK DAVIS. ANY REPRODUCTION IN PART OR AS A WHOLE WITHOUT THE WRITTEN PERMISSION OF BABCOCK DAVIS IS PROHIBITED.