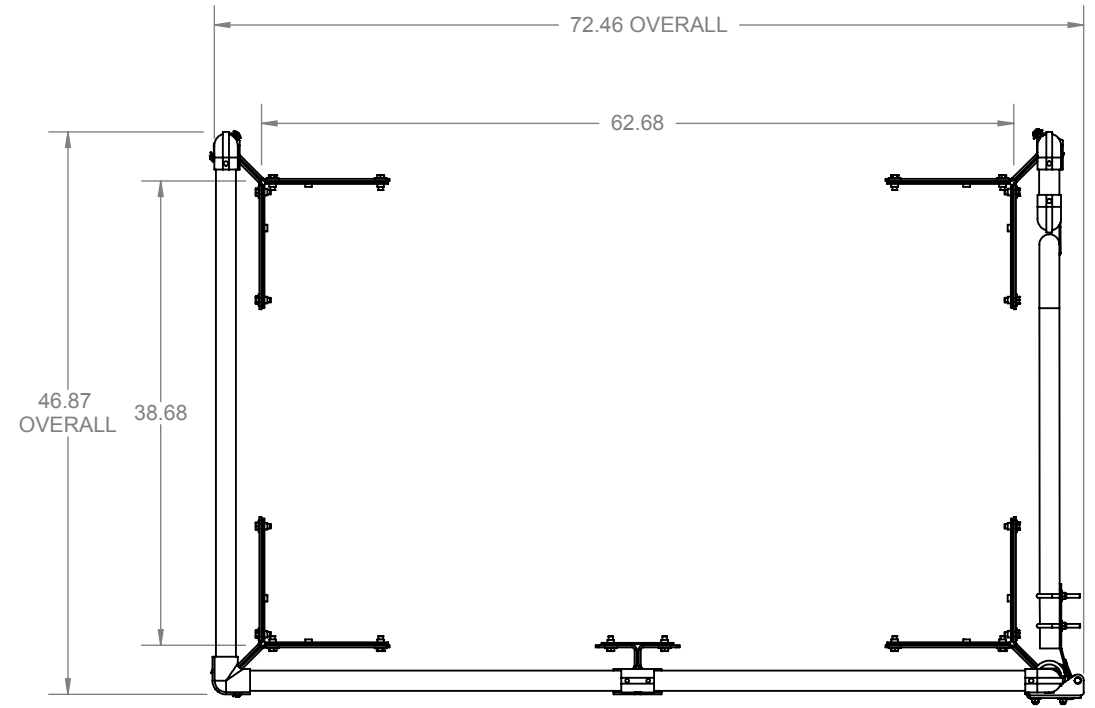


ITEM NO.	PART NUMBER	DESCRIPTION	QTY.
10	27496-5.00-Y	RAIL, 1-1/4" X 5.00L	2
20	27496-18.00-Y	RAIL, 1-1/4" X 18.00L	1
30	27496-32.25-Y	RAIL, 1-1/4" X 32.25L	2
40	27496-33.00-Y	RAIL, 1-1/4" X 33.00L	2
50	27496-42.50-Y	RAIL, 1-1/4" X 42.50L	2
500	27180-A-Y	PKG, CORNER POST, ALUM	4
505	27259-A-Y	PKG, SIDE POST, ALUM	1
510	27185	FTG, ELBOW,	5
515	27188	FTG, TEE,	3
520	27186	FTG, CROSS ELBOW,	1
525	27231	FTG, DBL TEE,	1
575	SRCA-GATE-30	GATE, 30,	1



SPECIFICATIONS

RAILS, POSTS: 6061 T6 ALUMINUM ALLOY 1 1/4" I.D. SCH 40

GATE: 1/4" TUBULAR ALUMINUM SELF CLOSING WITH COIL SPRING, ZINC PLATED

COUNTERFLASH MOUNTING BRACKETS: 3/16" ZINC PLATED STEEL FASTENED TO STEEL BACKING PLATE

BOLTS: HEX HEAD BOLTS 3/8"-16 x 3/4" GRADE 5 ZINC PLATED

RAILING FITTINGS AND PLUGS: MANUFACTURER'S STANDARD CAST WITH SET SCREW HOLD

FITS HATCH SIZES UP TO 30" X 54"

CERTIFICATIONS: MEETS OSHA 29 CFR 1910.23 GUARDING FOR OPENINGS REQUIREMENTS; SUPPORTS 200 LBS. FORCE

FINISH: SAFETY YELLOW POWDER COAT PAINT

SRBAY30X54SG



9300 73rd Avenue North
Brooklyn Park, MN 55428

TITLE:
Safety Railings for Roof Hatch
30X54 Side Exit, Therm-Brokn
Aluminum, Yellow Powder Paint, Self-Closing
Gate, 3" Curb,

	NAME	DATE
DRAWN	SJB	TODAY
RELEASED	DWO	1/14/2019

SIZE	DWG. NO.	REV
B	SRBAY30X54SG	A

PROPRIETARY AND CONFIDENTIAL: THE INFORMATION CONTAINED IN THIS DRAWING IS THE SOLE PROPERTY OF BABCOCK-DAVIS. ANY REPRODUCTION IN PART OR AS A WHOLE WITHOUT THE WRITTEN PERMISSION OF BABCOCK-DAVIS IS PROHIBITED.