

8 7 6 5 4 3 2 1

ITEM NO.	PART NUMBER	DESCRIPTION	QTY.
10	27496-34.00-Y	RAIL, 1-1/4" X 34.00L, ALUM	4
20	27496-42.50-Y	RAIL, 1-1/4" X 42.50L, ALUM	4
500	27180-A-Y	PKG, CORNER POST,ALUM,	4
510	27185	FTG, ELBOW,	4
515	27188	FTG, TEE,	4
520	27186	FTG, CROSS ELBOW,	2
525	27231	FTG, DBL TEE,	2
580	27349-A-Y	PKG, SIDE POST, ALUM, NO FTG	2
575	SRCAY-GATE-30	GATE, 30,	1

D

D

C

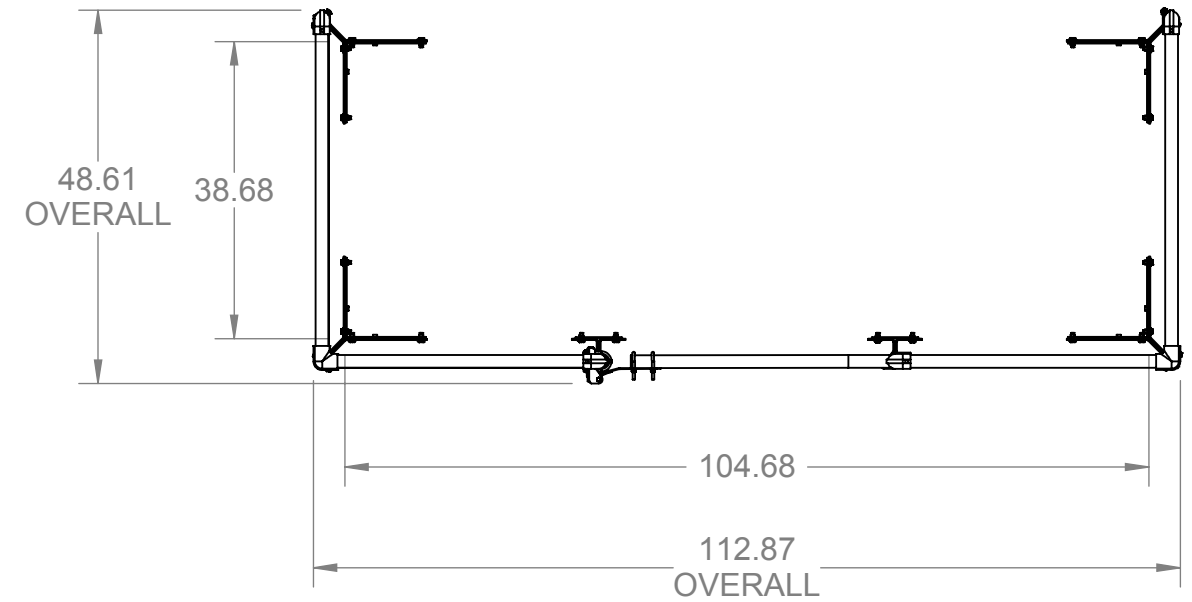
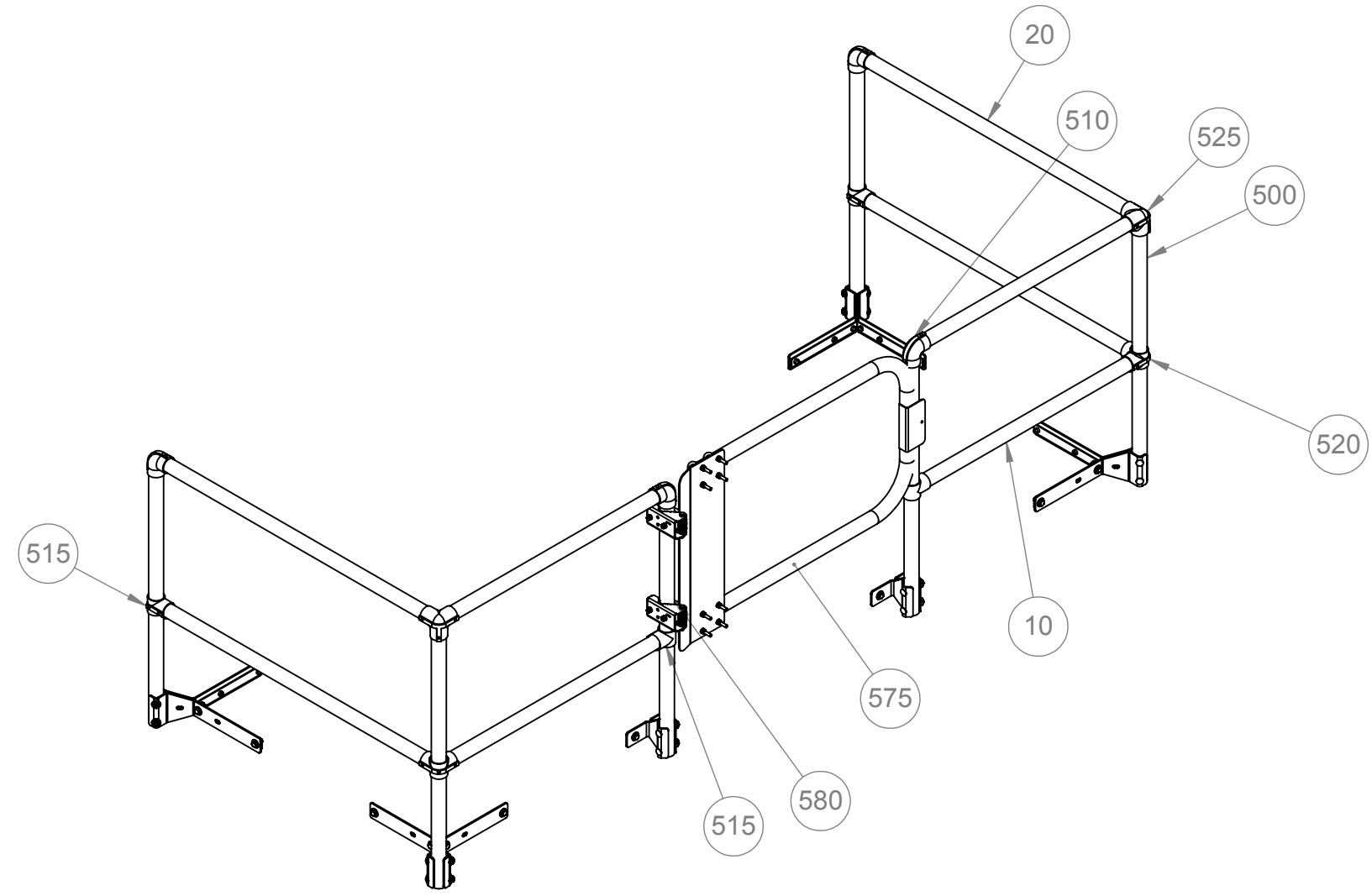
C

B

B

A

A



**SPECIFICATIONS**

RAILS, POSTS: 6061 T6 ALUMINUM ALLOY 1 1/4" I.D. SCH 40

GATE: 1 1/4" TUBULAR ALUMINUM SELF CLOSING WITH COIL SPRING, ZINC PLATED

COUNTERFLASH MOUNTING BRACKETS: 3/16" ZINC PLATED STEEL FASTENED TO STEEL BACKING PLATE

BOLTS: HEX HEAD BOLTS 3/8"-16 x 3/4" GRADE 5 ZINC PLATED

RAILING FITTINGS AND PLUGS: MANUFACTURER'S STANDARD CAST WITH SET SCREW HOLD

FITS HATCH SIZES UP TO 30" X 96"

CERTIFICATIONS: MEETS OSHA 29 CFR 1910.28 AND 1910.29 REQUIREMENTS

FINISH: SAFETY YELLOW POWDER COAT

**SRBAY30X96FG**



9300 73rd Avenue North  
Brooklyn Park, MN 55428

TITLE:  
Safety Railings for Roof Hatch  
30X96 Front Exit, Therm-Brokn  
Aluminum, Safety Yellow Pwd, Gate, 3" Curb,,

	NAME	DATE	SIZE	DWG. NO.	REV
DRAWN	SJB	TODAY	<b>B</b>	SRBAY30X96FG	<b>A</b>
RELEASED	DWO	8/28/2019	WEIGHT: Weight	SHEET 1 OF 1	

8 7 6 5 4 3 2 1