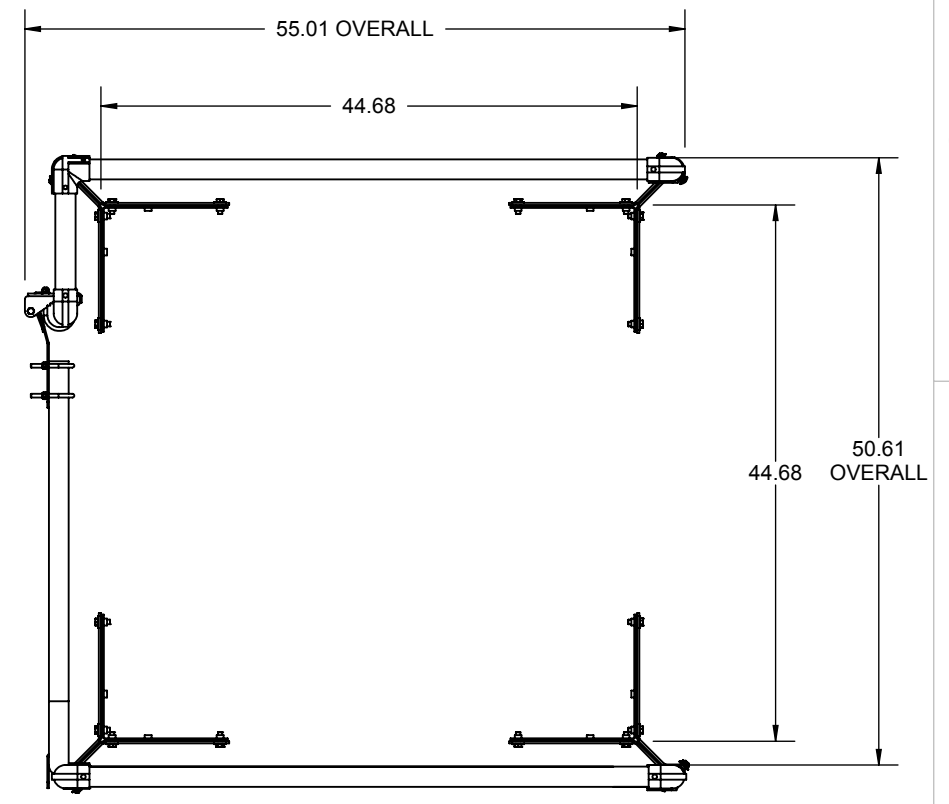
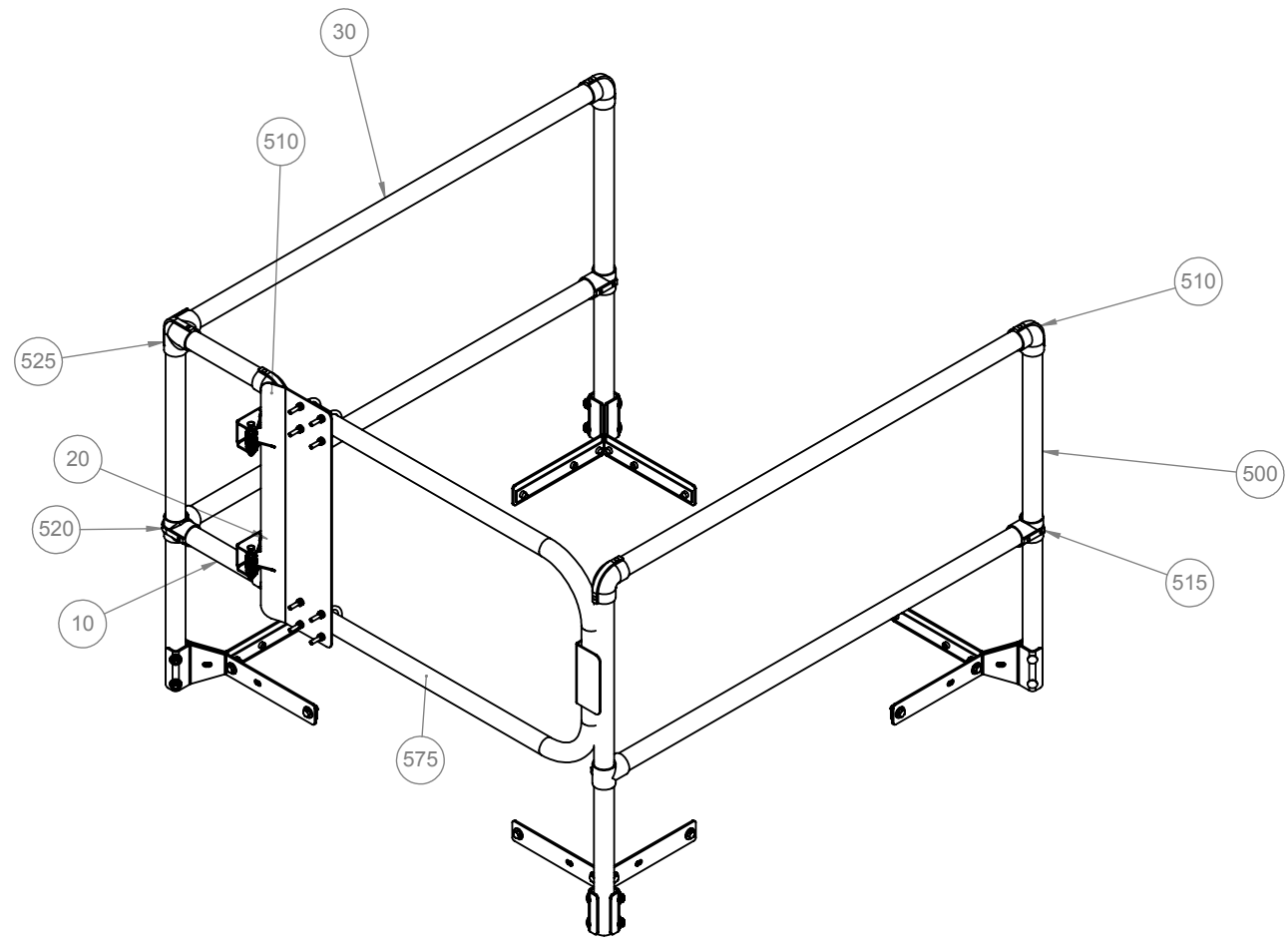


8 7 6 5 4 3 2 1

ITEM NO.	PART NUMBER	DESCRIPTION	QUANTITY
10	27496-10.00-Y	RAIL, 1-1/4" X 10.00L,	2
20	27496-18.00-Y	RAIL, 1-1/4" X 18.00L,	1
30	27496-48.50-Y	RAIL, 1-1/4" X 48.50L,	4
500	27180-A-Y	PKG, CORNER POST, ZPS,	4
510	27185	FTG, ELBOW,	5
515	27188	FTG, TEE,	3
520	27186	FTG, CROSS ELBOW,	1
525	27231	FTG, DBL TEE,	1
575	SRCA-GATE-30	GATE, 30,	1



SPECIFICATIONS

RAILS, POSTS: 6061 T6 ALUMINUM ALLOY 1 1/4" I.D. SCH 40

GATE: 1 1/4" TUBULAR ALUMINUM SELF CLOSING WITH COIL SPRING, ZINC PLATED

COUNTERFLASH MOUNTING BRACKETS: 3/16" ZINC PLATED STEEL FASTENED TO STEEL BACKING PLATE

BOLTS: HEX HEAD BOLTS 3/8"-16 x 3/4" GRADE 5 ZINC PLATED

RAILING FITTINGS AND PLUGS: MANUFACTURER'S STANDARD CAST WITH SET SCREW HOLD

FITS HATCH SIZES UP TO 36" X 36"

CERTIFICATIONS: MEETS OSHA 29 CFR 1910.23 GUARDING FOR OPENINGS REQUIREMENTS; SUPPORTS 200 LBS. FORCE

FINISH: SAFETY YELLOW POWDER COAT PAINT

SRBAY36X36FG



9300 73rd Avenue North
Brooklyn Park, MN 55428

TITLE:
Safety Railings for Roof Hatch
36X36, Front Exit, Therm-Brokn
Aluminum, Safety Yellow Pwd, Gate, 3" Curb,

NAME	DATE	SIZE	DWG. NO.	REV
DRAWN SJB	TODAY	B	SRBAY36X36FG	A
RELEASED DWO	1/4/2019	WEIGHT: Weight		SHEET 1 OF 1

8 7 6 5 4 3 2 1