

SPECIFICATIONS:

- ① **COVER:** 14GA (.079) GALV STEEL, STIFFENED TO WITHSTAND A LIVE LOAD OF 40PSF WITH A MAX DEFLECTION OF 1/150 OF THE SPAN.
- ② **CURB:** 14GA (.079) GALV STEEL CURB COUNTERFLASH WITH EZ TABS.
- ③ **FINISH:** RED POWDER COAT
- ④ **INSULATION:** 1" POLYISO R-6 (5.6 LTR) IN CURB, 1" POLYSTYRENE R-4 (3.8 LTR) IN COVER.
- ⑤ **GASKET:** EXTRUDED EPDM RUBBER ADHESIVE BACKED GASKET SEAL CONTINUOUS AROUND COVER.
- ⑥ **SPRING:** GAS SPRING WITH DAMPER FOR SMOOTH, CONTROLLED, COUNTERBALANCED LIFT ASSISTANCE.
- ⑦ **HINGE:** PINTLE HINGE WITH STAINLESS STEEL HINGE PINS.
- ⑧ **HOLD OPEN ARM:** ZINC PLATED STEEL AUTOMATIC HOLD OPEN ARM LOCKS COVER IN FULLY OPEN POSITION WITH RED VINYL GRIP HANDLE PULL RELEASE.

- ⑨ **LATCH:** ZINC PLATED STEEL SLAM LATCH, HOLDS COVER CLOSED AGAINST WIND UPLIFT, INTERIOR AND EXTERIOR TURN HANDLES WITH PADLOCK HASPS.
- ⑩ **PULL HANDLE:** INTERIOR PULL DOWN HANDLE, SAFETY YELLOW POWDER COAT

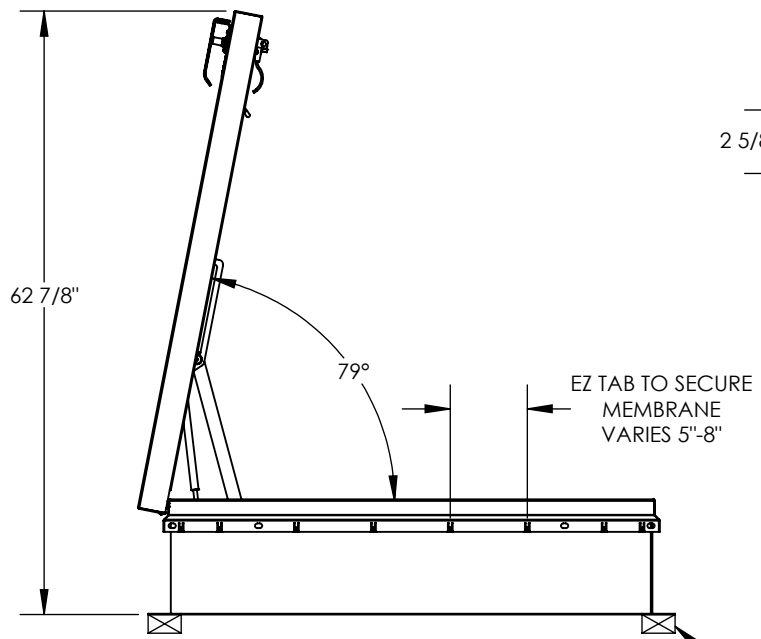
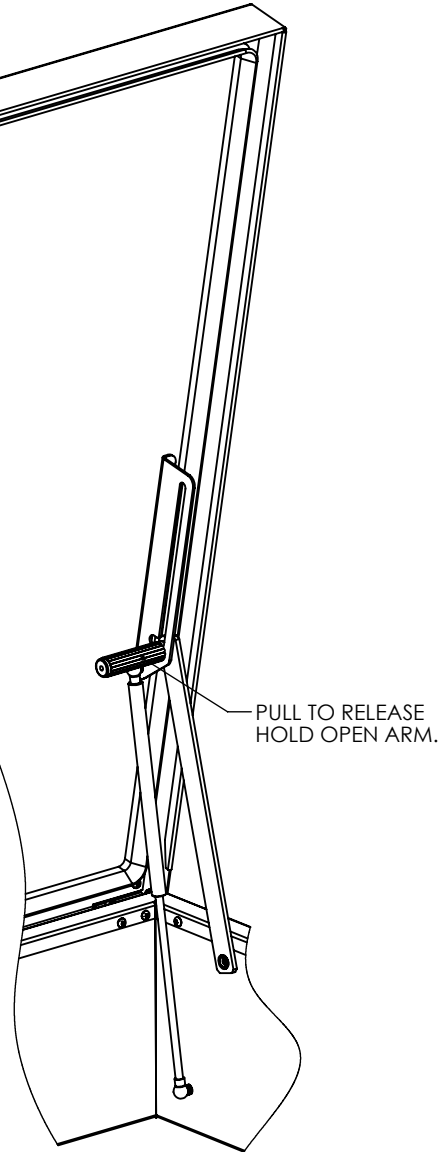
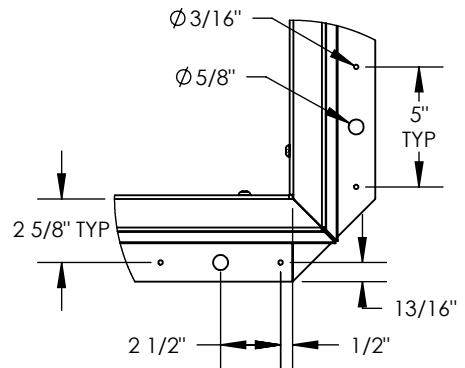
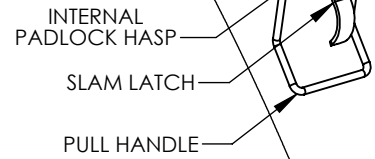
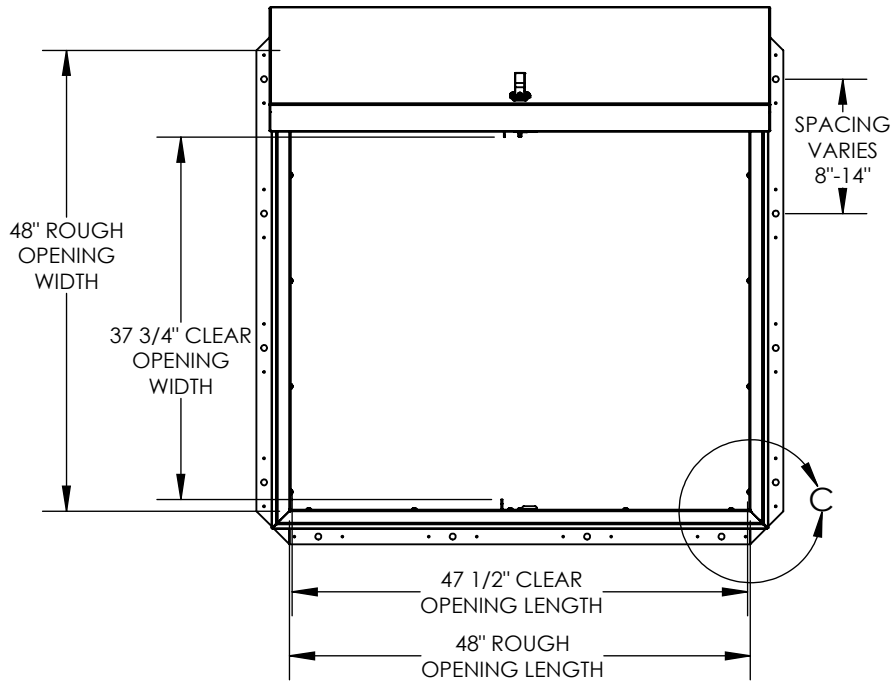
NOTES:

-WHEN INSTALLING ON A PITCHED ROOF UP TO 7:12, THE HINGE SIDE (LENGTH) MUST BE PARALLEL TO THE SLOPE.
 - WIDTH X LENGTH DIMENSIONS ARE MEASURED INSIDE CURB TO INSIDE CURB. THE WIDTH IS HINGE TO LATCH AND LENGTH IS HINGED SIDE.

ROOF HATCH SIZE 48" (WIDTH) x 48" (LENGTH)
CLEAR OPENING 37 3/4" (WIDTH) x 47 1/2" (LENGTH)
ROUGH OPENING 48" (WIDTH) x 48" (LENGTH)

PROPRIETARY AND CONFIDENTIAL: THE INFORMATION CONTAINED IN THIS DRAWING IS THE SOLE PROPERTY OF BABCOCK-DAVIS. ANY REPRODUCTION IN PART OR AS A WHOLE WITHOUT THE WRITTEN PERMISSION OF BABCOCK-DAVIS IS PROHIBITED.

PROJECT:			
ARCHITECT:			
CONTRACTOR:			
QTY:			
PART:		BRHHG48X48S1T	
		TITLE:	
		Roof Hatch, Hurricane 48x48, Sngl Dr, Galv Steel, Red Pwd, Sngl Wall Curb	
9300 73rd Avenue North, Brooklyn Park, MN 55428			
NAME	DATE	SIZE	DWG. NO.
DRAWN	SGS	04/01/15	A
RELEASED	IMT	04/01/15	BRHHG48X48 S1T
WEIGHT: 240.7 lbs		REV	
		-	
SHEET 1 OF 2			



WOOD, CONCRETE, OTHER MATERIAL FOR MOUNTING BY OTHERS (NIC)

		TITLE:		Roof Hatch, Hurricane	
9300 73rd Avenue North, Brooklyn Park, MN 55428				48x48, Sngl Dr, Galv Steel, Red Pwd, Sngl Wall Curb	
NAME	DATE	SIZE	DWG. NO.		REV
DRAWN: SGS	04/01/15	A		BRHHG48X48S1T	-
RELEASED: IMT	04/01/15		WEIGHT: 240.7 lbs		SHEET 2 OF 2

PROPRIETARY AND CONFIDENTIAL: THE INFORMATION CONTAINED IN THIS DRAWING IS THE SOLE PROPERTY OF BABCOCK-DAVIS. ANY REPRODUCTION IN PART OR AS A WHOLE WITHOUT THE WRITTEN PERMISSION OF BABCOCK-DAVIS IS PROHIBITED.