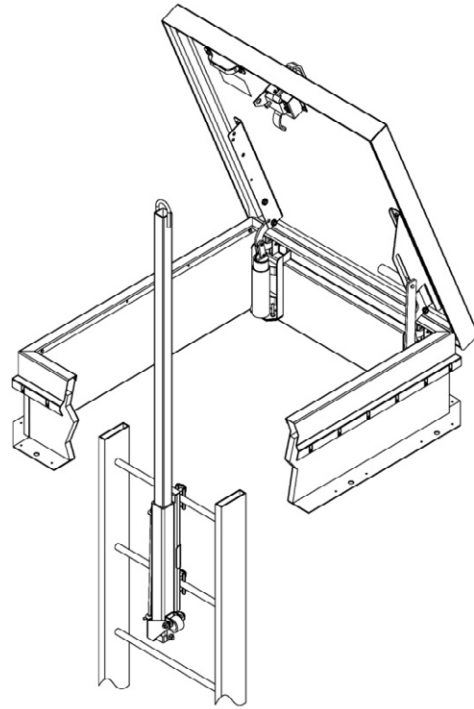


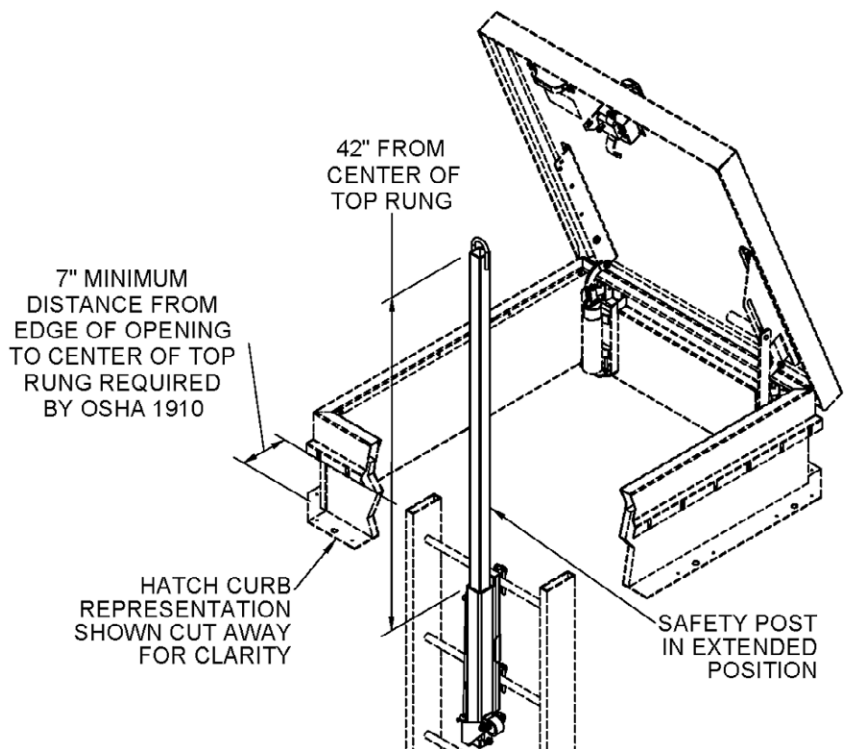
**Safety Post in a Floor Door Application**



**Safety Post in a Roof Hatch Application**

**Overview:**

Safety Posts provide easier, safer fixed ladder access through roof hatches and floor door. The telescoping post permanently mounts to the top two rungs of any fixed ladder. It provides a positive hand-hold to assist personnel as they enter or exit an opening in an upright and balanced position. The following are general instructions for installing, operating and maintaining Safety Posts. These are recommended general guidelines only. Locally accepted installation practices and procedures should be followed to ensure a safe egress system that meets all local code requirements, including Occupational Safety & Health Administration (OSHA) and International Building Code (IBC).



**Set Up/Unpack/Preparation:**

Verify that all products listed on the packaging slip are included in the package.

Check the products for damage. If products are damaged, report a freight claim immediately and leave the products in their packaging. If you sign for products without reporting damage, you waive the right to a freight claim and will be responsible for replacement cost. Read the instructions thoroughly before beginning installation.

**Components and Parts:**

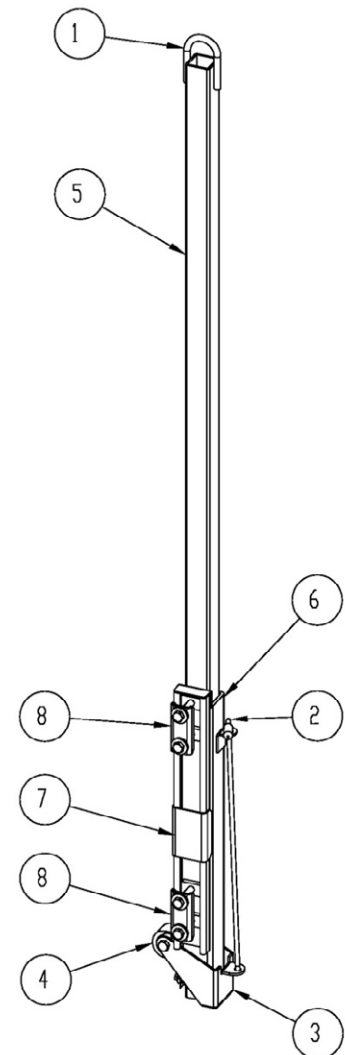
Safety posts are designed with square tubing that allows a firm and steady hand-hold grip, while climbing and exiting fixed ladders. The telescoping design is spring balanced for ease of operation. The safety post automatically locks in the fully raised position. release lever to safely allow the post to be easily lowed to its retracted position. Adjustable mounting hardware accommodates virtually any ladder rung size or spacing.

The safety post comes in four (4) corrosion resistance material types to provide many years of dependable usage; including Steel with a safety yellow powder coat, Steel with a hot dip galvanized finish, Aluminum with mill finish and Stainless Steel Type 304.

ITEM NO.	DESCRIPTION	QTY
1	Lifting handle	1
2	Release Assembly with Handle	1
3	Extend Position Locking Bracket	1
4	Constant Force Balancing Spring	1
5	Square Tubing - 1.5"	1
6	Square Tubing - 2"	1
7	Mounting Channel	1
8	SST Mounting Brackets and Hardware	2

**Tools Required:**

- Level
- Marking tool
- Drill
- 7/16" drill bit (if attaching directly to ladder riser)
- 9/16" socket



**Installation:**

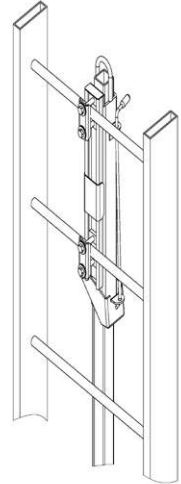
Safety post attachment to ladder

Two people are recommended when installing the safety post on a ladder that is already mounted to the wall.

Please the post on the wall side of the ladder or side mount

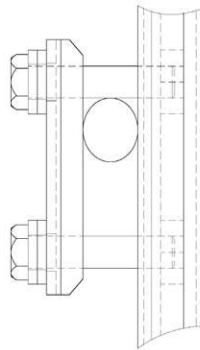
Attach the two rungs as indicated

Tighten bolts securely.



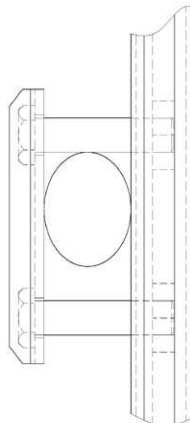
Attachment to  $\frac{3}{4}$ " to 1" Diameter Rung

Attachment to  $\frac{3}{4}$ " to 1" diameter rungs requires the mounting bracket positioned with flanges toward the ladder rung as shown in figure below. Use washers under heads of bolts.



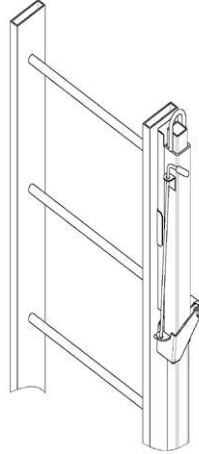
Attachment 1-1/4" Diameter Rung

Attachment to 1-1/4" diameter rungs requires the mounting bracket reverse positioned with flanges away from the ladder rung as shown in below. Larger rungs (such as 2-1/4" serrated treads) will require longer bolts. Washers are not necessary.



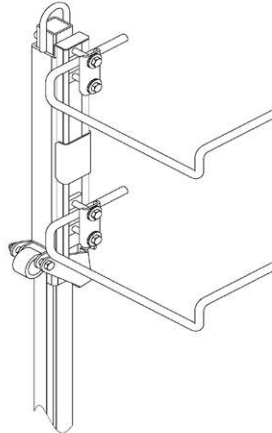
**Attachment to Ladder Riser:**

Safety Post may be mounted on one of the ladder risers by drilling 7/16" holes in the ladder riser and bolting through as shown below.



**Attachment to Precast Steps:**

Where rungs are installed in precast concrete and risers are too narrow to permit center mounting, attach safety post to rungs as shown below.



**Operation:**

Raise safety post to the fully extended and locked position. The locking bracket automatically engages to securely hold the safety post in place. To lower, lift the red release handle to disengage the locking bracket.

**Maintenance:**

Assure that all fasteners are tight. It is recommended that the spring be lubricated once a year to preserve the spring, and that all fasteners are tightened securely.

**Customer Service:**

For any questions regarding the installation, operation and maintenance of the safety post product, please call our toll-free number for assistance, 888-412-3726.