

8

7

6

5

4

3

2

1

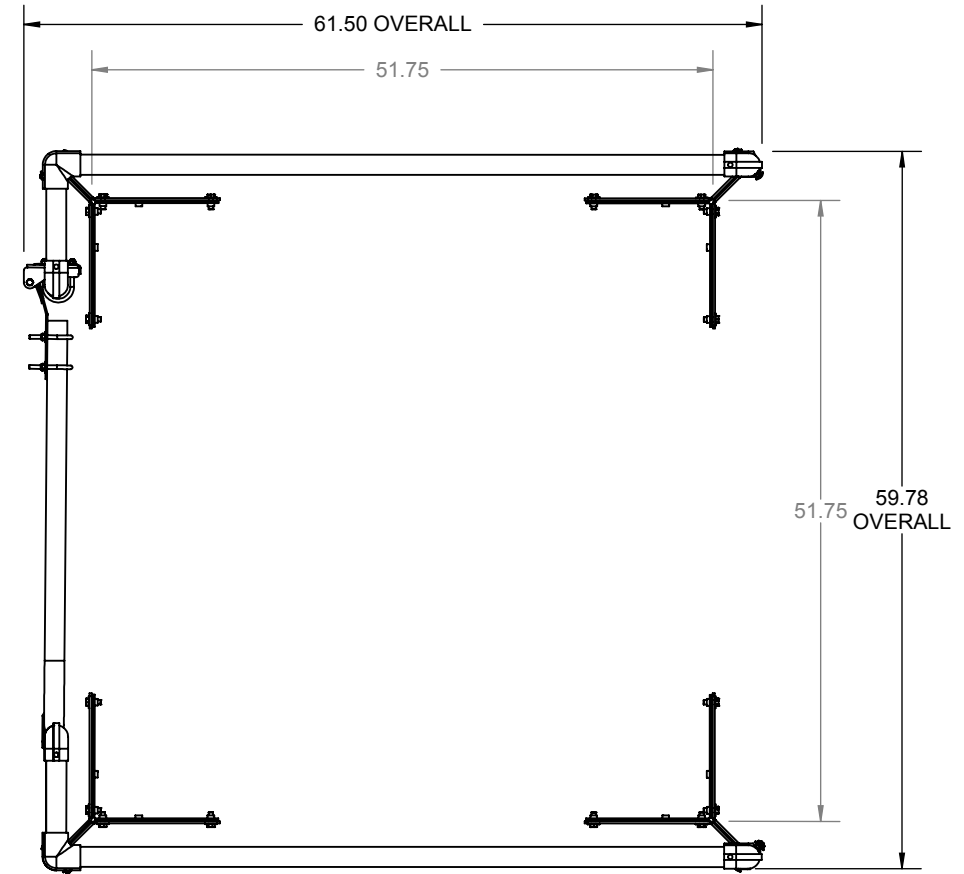
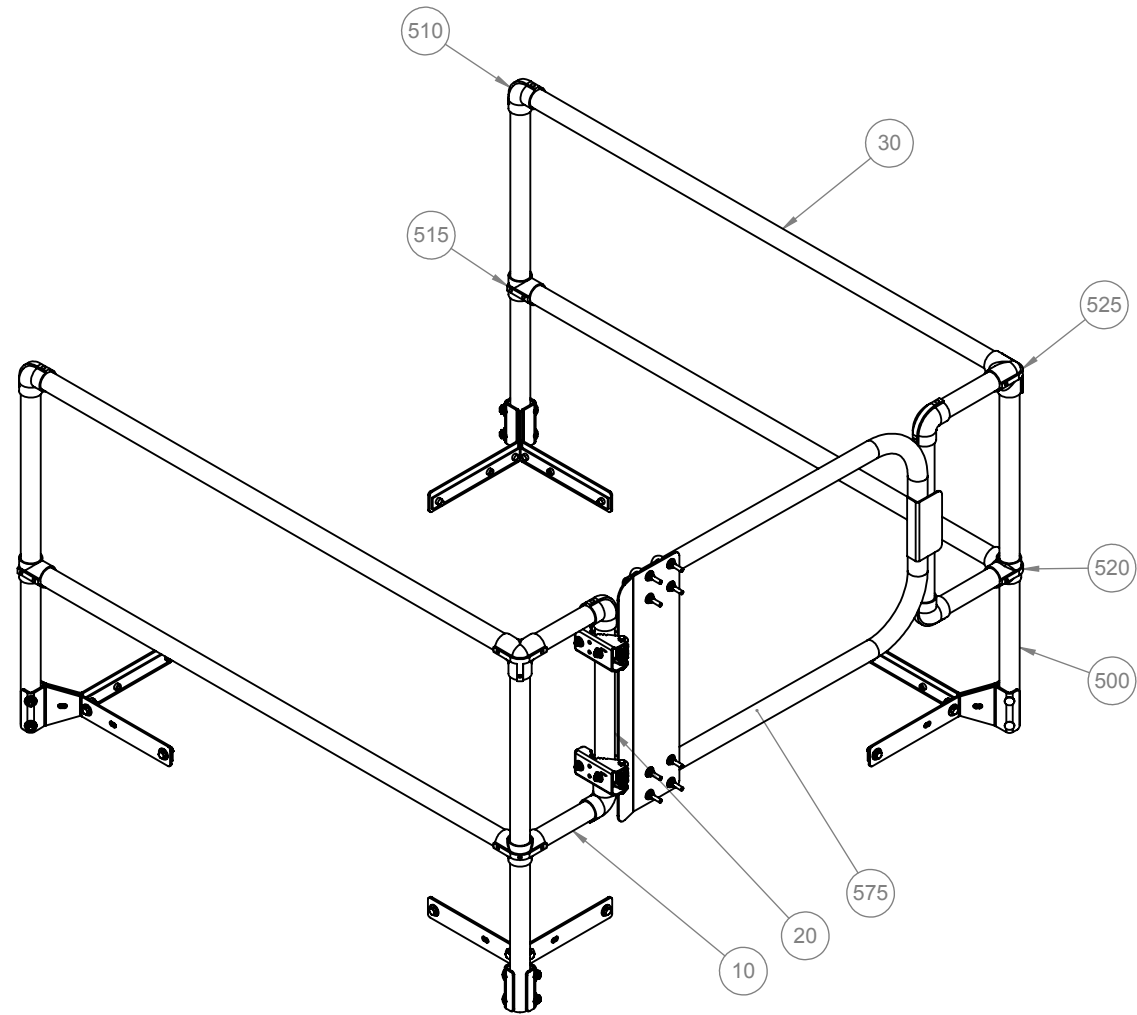
ITEM NO.	PART NUMBER	DESCRIPTION	QTY.
10	27496-8.00	RAIL, 1-1/4" X 8.00L,	4
20	27496-18.00	RAIL, 1-1/4" X 18.00L,	2
30	27496-55.75	RAIL, 1-1/4" X 55.75L,	4
500	27180-A	PKG, CORNER POST, ZPS,	4
510	27185	FTG, ELBOW,	6
515	27188	FTG, TEE,	2
520	27186	FTG, CROSS ELBOW,	2
525	27231	FTG, DBL TEE,	2
575	SRCA-GATE-30	GATE, 30,	1

D

C

B

A



SPECIFICATIONS

RAILS, POSTS: 6061 T6 ALUMINUM ALLOY 1 /14" I.D. SCH 40

GATE: 1 1/4" TUBULAR ALUMINUM SELF CLOSING WITH COIL SPRING, ZINC PLATED

COUNTERFLASH MOUNTING BRACKETS: 3/16" ZINC PLATED STEEL FASTENED TO STEEL BACKING PLATE

BOLTS: HEX HEAD BOLTS 3/8"-16 x 3/4" GRADE 5 ZINC PLATED

RAILING FITTINGS AND PLUGS: MANUFACTURER'S STANDARD CAST WITH SET SCREW HOLD

FITS HATCH SIZES UP TO 48" X 48"

CERTIFICATIONS: MEETS OSHA 29 CFR 1910.23 GUARDING FOR OPENINGS REQUIREMENTS; SUPPORTS 200 LBS. FORCE

FINISH: SAFETY YELLOW POWDER COAT

**SRCAY48X48FG**



9300 73rd Avenue North  
Brooklyn Park, MN 55428

TITLE:  
Safety Railings for Roof Hatch  
48x48, Front Exit, Sngl Door,  
Aluminum, Safety Yellow Pwd, Gate

	NAME	DATE	SIZE	DWG. NO.	REV
DRAWN	SJB	TODAY	<b>B</b>	SRCAY48X48FG	<b>A</b>
RELEASED	DWO	1/25/2018	WEIGHT: Weight	SHEET 1 OF 1	

8

7

6

5

4

3

2

1