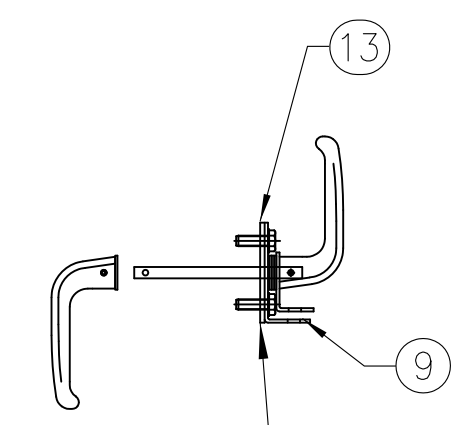
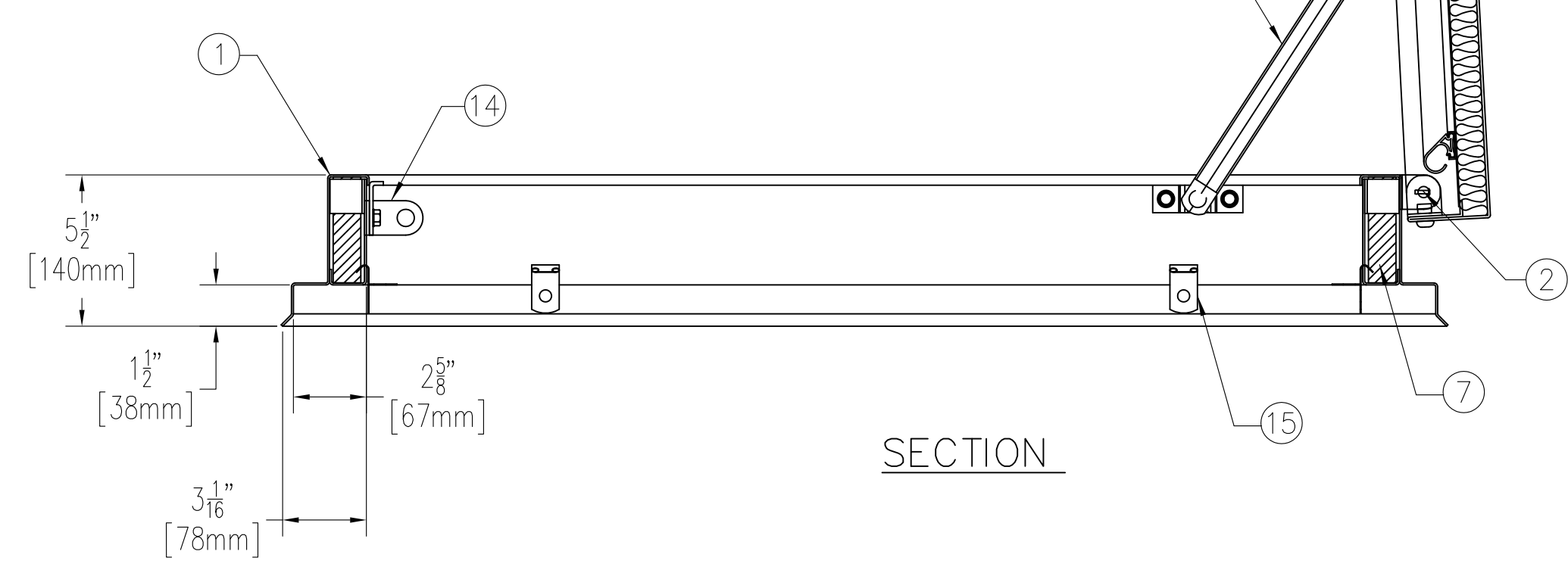
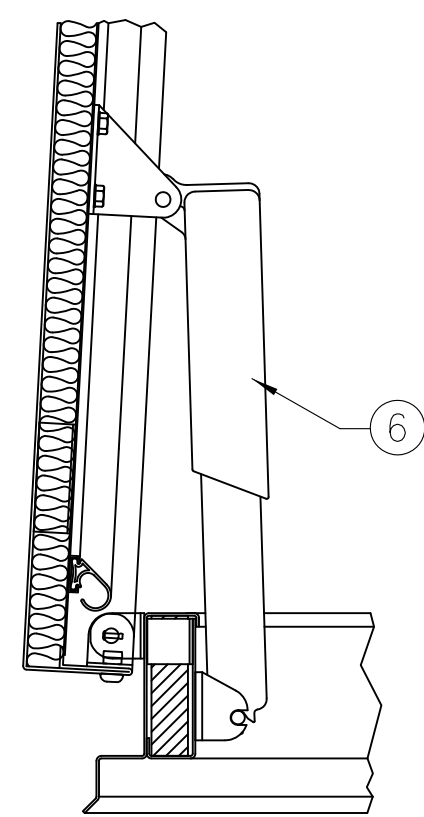
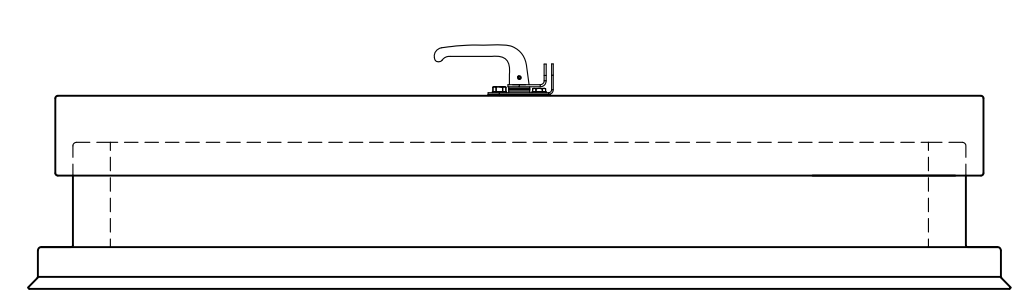


QUANTITY OF SPRINGS AND HINGES VARIES WITH SIZE



HANDLES TO BE INSTALLED ON SITE BY CUSTOMER



SECTION

SPECIFICATIONS

1. FRAME W/ FLASHING (CORNERS FULL WELDED)
 - 20VM - 14 GAUGE P.B. GALV. STEEL
 - 50VM - 11 GAUGE ALUMINUM
2. PINTLE HINGE
3. GASKET (ALL AROUND COVER)
4. COVER GAUGE
 - 20VM - 14 GAUGE P.B. GALV. STEEL
 - 50VM - 11 GAUGE ALUMINUM
5. COVER LINER
 - 20VM - 22 GAUGE P.B. GALV. STEEL
 - 50VM - 18 GAUGE ALUMINUM

6. LIFTING MECHANISM WITH REINFORCED COMPOSITE TUBES AND COMPRESSION SPRINGS
7. 1" RIGID FIBERGLASS INSULATION
8. SLAM LATCH
9. INSIDE AND OUTSIDE HANDLES W/ PADLOCK HASPS
10. ARM GUIDE BRACKET
11. 1" THICK FIBERGLASS COVER INSULATION
12. HOLD OPEN ARM W/ RED VINYL GRIP
13. NEOPRENE GASKET
14. LOCK STRIKE & PADLOCK HASP
15. ANCHOR TABS (QTY & LOCATION VARIES W/ SIZE)
16. GUIDE ARM (IF REQ'D)

SHOP FINISH:
 STEEL: RED OXIDE PRIMER
 ALUMINUM: MILL FINISH
 HARDWARE: ZINC PLATED & CHROMATE SEALED
 (UNLESS OTHERWISE SPECIFIED)

THIS PRODUCT MAY BE INSTALLED ON EITHER A FLAT OR SLOPING ROOF. WHEN INSTALLED ON A SLOPE, THE HINGE SIDE MUST RUN PARALLEL WITH THE SLOPE. IF SLOPE EXCEEDS 30°, ADVISE FACTORY FOR MODIFICATION.

CUSTOMER:

P.O. N°

JOB:

SALES REP:

Manufacturers of Doors for Special Services
Bilco® THE BILCO COMPANY
 New Haven, Connecticut 06505

SINGLE LEAF ROOF SCUTTLE - TYPE VM

SIZE		SIZE		
QTY	TYPE	QTY	TYPE	
WIDTH x LENGTH		WIDTH x LENGTH		
<input type="checkbox"/>	S-20VM	<input type="checkbox"/>	S-50VM	3'-0" x 2'-6" [914mm] x [762mm]
<input type="checkbox"/>	NB-20VM	<input type="checkbox"/>	NB-50VM	2'-6" x 4'-6" [762mm] x [1370mm]
<input type="checkbox"/>	L-20VM	<input type="checkbox"/>	L-50VM	2'-6" x 8'-0" [762mm] x [2440mm]
<input type="checkbox"/>	EW-20VM	<input type="checkbox"/>	EW-50VM	3'-3 3/8" x 3'-3 3/8" [1000mm] x [1000mm]

THIS DRAWING IS THE PROPERTY OF THE BILCO COMPANY AND INCORPORATES INFORMATION WHICH IS PROPRIETARY. PUBLICATION AND/OR PUBLIC DISTRIBUTION IN WHOLE OR IN PART IS EXPRESSLY PROHIBITED WITHOUT THE PRIOR WRITTEN CONSENT OF THE BILCO COMPANY. THE INFORMATION CONTAINED HEREIN REMAINS THE PROPERTY OF THE BILCO COMPANY. ALL RIGHTS RESERVED.