

**SPECIFICATIONS:**

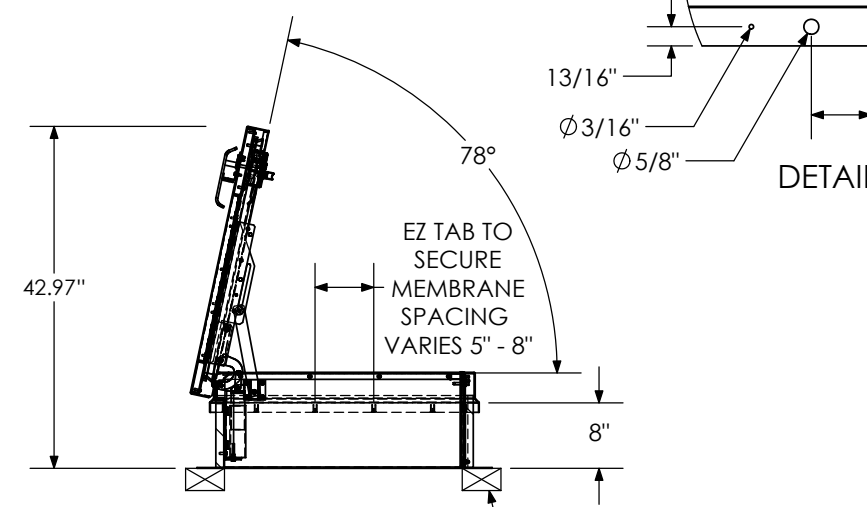
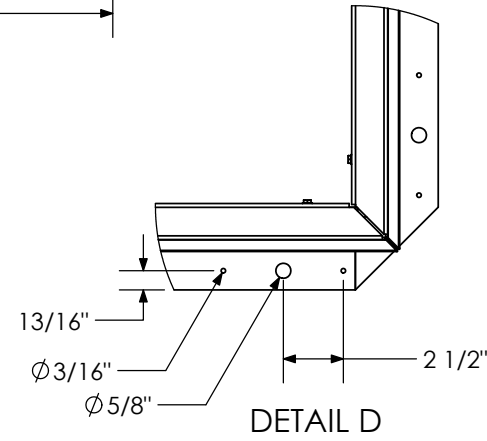
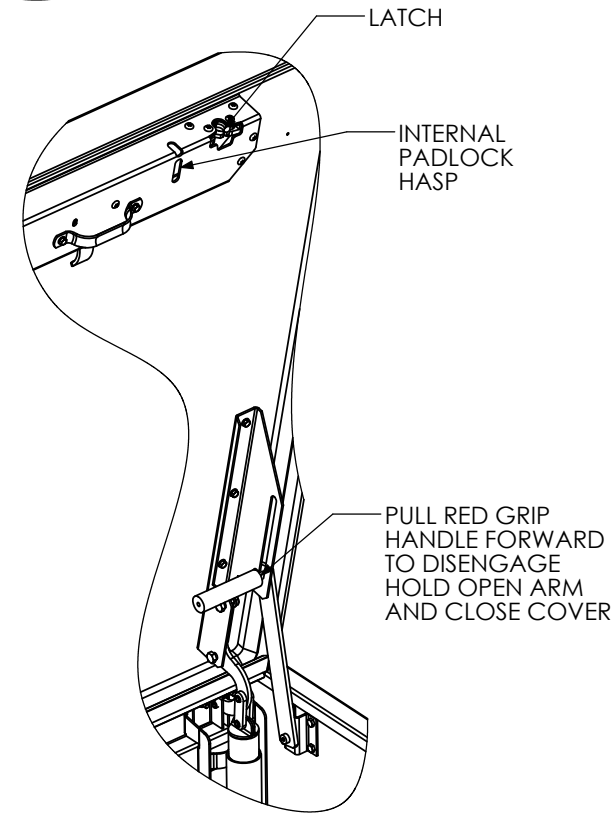
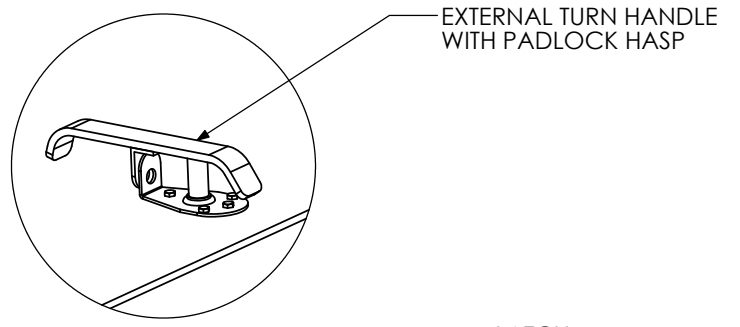
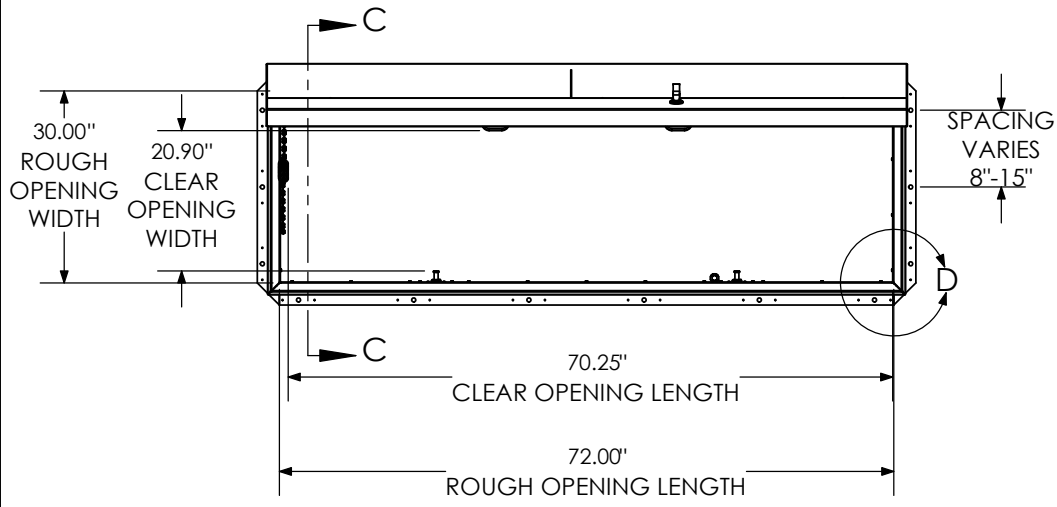
- ① **COVER:** 14 GA GALV STEEL COVER STIFFENED TO WITHSTAND A LIVE LOAD OF 40PSF WITH A MAX DEFLECTION OF 1/150 OF THE SPAN
- ② **LINER:** 22 GA GALV STEEL
- ③ **CURB AND COUNTERFLASH W/ EZ TAB:** 14 GA GALV STEEL
- 4 **FINISH:** RED OXIDE POWDER COAT
- ⑤ **SPRING/HINGE ASSEMBLY:** ZINC PLATED STEEL TAMPER-PROOF HINGE CONTAINED WITHIN SPRING/HINGE ASSEMBLY. TELESCOPIC TUBES CONTAIN COIL STEEL COMPRESSION SPRINGS FOR LIFT ASSISTANCE
- ⑥ **HOLD OPEN ARM:** LOCKS COVER IN FULLY OPEN POSITION - ZINC PLATED STEEL WITH RED VINYL GRIP HANDLE PULL RELEASE
- ⑦ **LATCH:** 2 POINT ROTARY LATCH SLAM LATCH HOLDS COVER CLOSED AGAINST 90 PSF WIND UPLIFT. INTERNAL AND EXTERNAL TURN HANDLES WITH PADLOCK HASPS

- ⑧ **INSULATION:** 1" POLYSTYRENE (R4) IN COVER, AND 1" POLYISO (R6) IN CURB
- ⑨ **GASKET:** ADHESIVE BACKED EPDM RUBBER EXTRUSION
- 10 **SIZING:** WIDTH X LENGTH DIMENSIONS ARE MEASURED INSIDE CURB TO INSIDE CURB WHERE THE WIDTH IS HINGE TO LATCH AND LENGTH IS HINGED SIDE WITH SPRINGS

**ROOF HATCH SIZE** 30 " (WIDTH) x 72 " (LENGTH)  
**CLEAR OPENING** 20.90 " (WIDTH) x 70.25" (LENGTH)  
**ROUGH OPENING** 30 " (WIDTH) x 72 " (LENGTH)

PROPRIETARY AND CONFIDENTIAL: THE INFORMATION CONTAINED IN THIS DRAWING IS THE SOLE PROPERTY OF BABCOCK-DAVIS. ANY REPRODUCTION IN PART OR AS A WHOLE WITHOUT THE WRITTEN PERMISSION OF BABCOCK-DAVIS IS PROHIBITED.

PROJECT:			
ARCHITECT:			
CONTRACTOR:			
QTY:			
PART#:		BRHPG30X72S1T	
		TITLE: Roof Hatch, Personnel Series, Sngl Dr, Zinc Hdw, Galvn Steel, Red Oxide Pwd, Sngl Wall Curb,	
		9300 73rd Avenue North Brooklyn Park, MN 55428	
NAME	DATE	SIZE	DWG. NO.
ELW	9/10/12	A	BRHPG_X_S_T-2PT
RELEASED	-	-	WEIGHT: VARIES



HARDWARE DETAILS

SECTION C-C  
WOOD, CONCRETE, OTHER MATERIAL FOR MOUNTING BY OTHERS (NIC)

			TITLE: Roof Hatch, Personnel Series, Sngl Dr, Zinc Hdw, Galvnl Steel, Red Oxide Pwd, Sngl Wall Curb,		
9300 73rd Avenue North Brooklyn Park, MN 55428			SIZE	DWG. NO.	REV
DRAWN	ELW	9/10/12	A	BRHPG_X_S_T-2PT	A
RELEASED	-	-	WEIGHT: VARIES		SHEET 2 OF 2

PROPRIETARY AND CONFIDENTIAL: THE INFORMATION CONTAINED IN THIS DRAWING IS THE SOLE PROPERTY OF BABCOCK-DAVIS. ANY REPRODUCTION IN PART OR AS A WHOLE WITHOUT THE WRITTEN PERMISSION OF BABCOCK-DAVIS IS PROHIBITED.