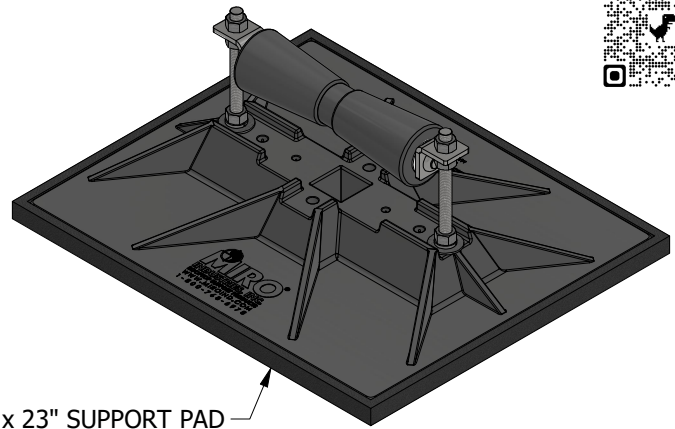
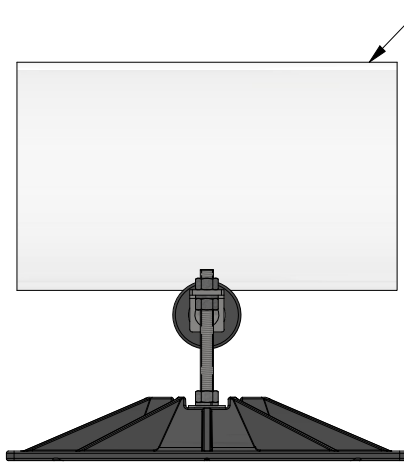


**TOP VIEW**



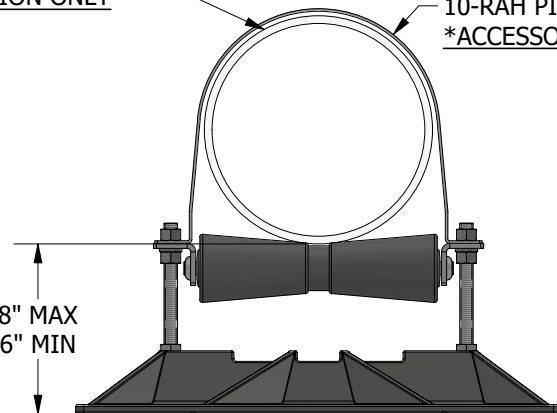
19" x 23" SUPPORT PAD  
\*ACCESSORY ITEM\*

**ISOMETRIC VIEW**



**SIDE VIEW**

10" SCH. 40 PIPE  
ILLUSTRATION ONLY



10-RAH PIPE GUIDE  
\*ACCESSORY ITEM\*

8" MAX  
6" MIN

**END VIEW**

**ACCESSORIES**

- 10-RAH Pipe Guides are built to order.
- 19" x 23" Support pad
- Eternabond® 2-sided tape.

**PRODUCT DESCRIPTION**

A "roller-bearing" pipe support used to support roof-mounted gas pipes, electrical conduit, solar piping and other mechanical piping. Unique design absorbs thermal expansion and contraction of pipes thus preventing damage to the roof membrane. Pipes rest on a rubber roller and a stainless steel axle.

**KEY INFORMATION**

- Optimally designed for a 10" pipe.
- Maximum pipe OD (with insulation) is 13".
- Adjustable from the factory set maximum height of 8" down to a minimum height of 6".
- Maximum load is 960 lbs. (3.0 psi) Make certain each pipe support is properly elevated to evenly distribute weight at all pipe support locations.
- Unit weight: 14.56 lbs.
- Recommended spacing is not to exceed 10' centers depending upon the load.

**MATERIAL INFORMATION**

- Base Material: Polycarbonate
- All-Thread: 5/8"-11 SS
- Axle: 5/8" SS Rod
- Roller Material: Rubber
- Hardware: HDG

The information contained in this drawing is the sole property of MIRO Industries, Inc. Any reproduction in part or as a whole without written permission of MIRO Industries, Inc. is prohibited.

DATE:  
JAN 2022

10-RAH-8