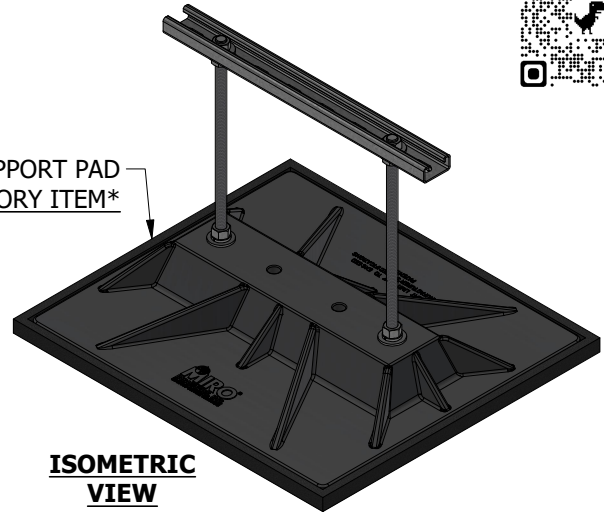
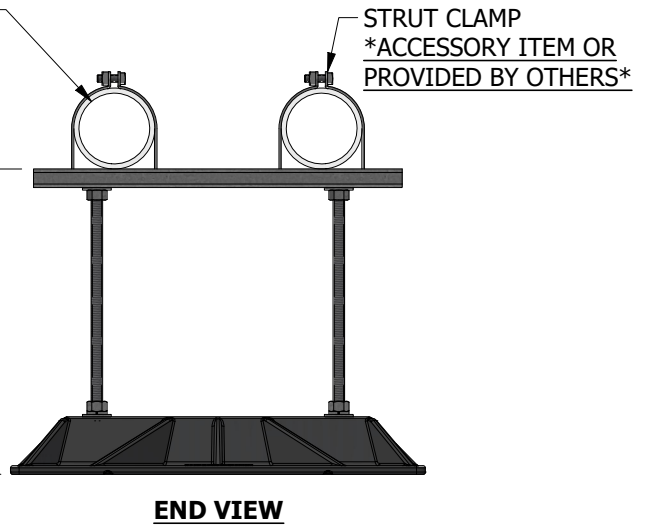


16" x 18" SUPPORT PAD  
\*ACCESSORY ITEM\*



PIPE/CONDUIT FOR ILLUSTRATION ONLY

13 1/4" MAX  
4 3/4" MIN



STRUT CLAMP  
\*ACCESSORY ITEM OR PROVIDED BY OTHERS\*

**ACCESSORIES**

- Strut Clamp - Order to Pipe O.D.
- 16" x 18" Support pad
- Eternabond® 2-sided tape

**PRODUCT DESCRIPTION**

A pipe support with "strut" used to support roof-mounted electrical conduit, solar piping, gas pipes and other mechanical piping. Pipes rest on a 16" length of strut which is mounted on the base. The pipes can be fastened by using the appropriate pipe clamp.

**KEY INFORMATION**

- Designed to support conduit (ganged) cable trays or other mechanical piping.
- Adjustable from the factory set maximum height of 13-1/4" down to a minimum height of 4-3/4"
- Maximum load is 578 lbs. (3.0 psi) Make certain each support is properly elevated to evenly distribute weight at all support locations.
- Unit Weight: 8.53 lbs.
- 4 per case (36 lbs. per case) - \*50 lbs. Shipping Weight\*
- Recommended spacing is not to exceed 10' centers depending upon the load.

**MATERIAL INFORMATION**

- Base Material: Polycarbonate
- 1/2"-13 304 SS All-Thread
- 13/16"x1-5/8" 14 ga. HDG slotted strut
- HDG hardware