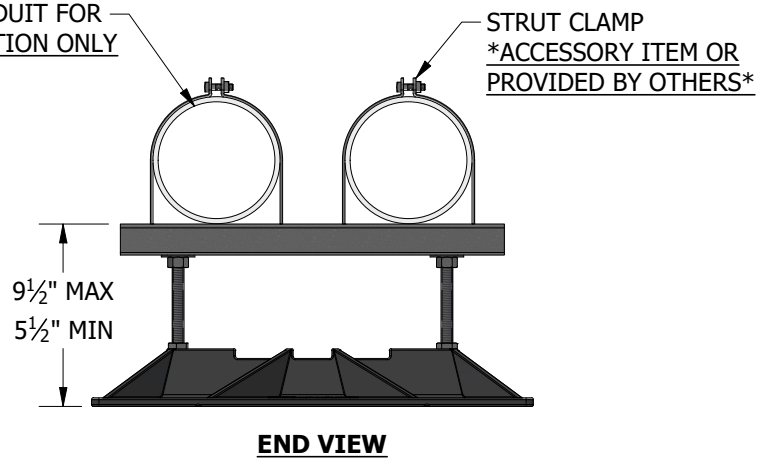
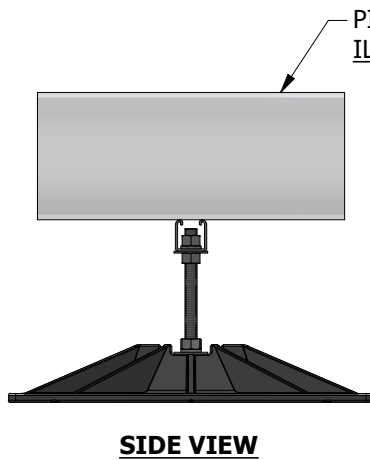
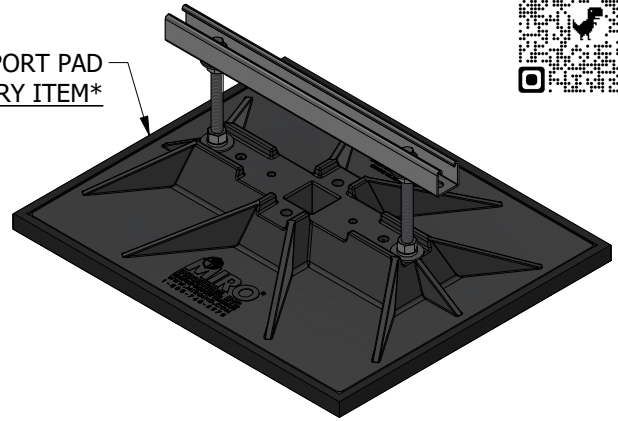


19" x 23" SUPPORT PAD  
\*ACCESSORY ITEM\*



**ACCESSORIES**

- Strut Clamp - Order to Pipe O.D.
- 19" x 23" Support pad
- Eternabond® 2-sided tape

**PRODUCT DESCRIPTION**

A pipe support with "strut" used to support roof-mounted electrical conduit, solar piping, gas pipes and other mechanical piping. Pipes rest on a 20" length of strut which is mounted on the base. The pipes can be fastened by using the appropriate pipe clamp.

**KEY INFORMATION**

- Designed to support conduit (ganged) cable trays or other mechanical piping.
- Adjustable from the factory set maximum height of 9-1/2" down to a minimum height of 5-1/2"
- Maximum load is 960 lbs. (3.0 psi) Make certain each support is properly elevated to evenly distribute weight at all support locations.
- Unit Weight: 15.05 lbs.
- Recommended spacing is not to exceed 10' centers depending upon the load.

**MATERIAL INFORMATION**

- Base Material: Polycarbonate
- 5/8"-11 304 SS All-Thread
- 1-5/8"x1-5/8" 12 ga. HDG slotted strut
- HDG hardware