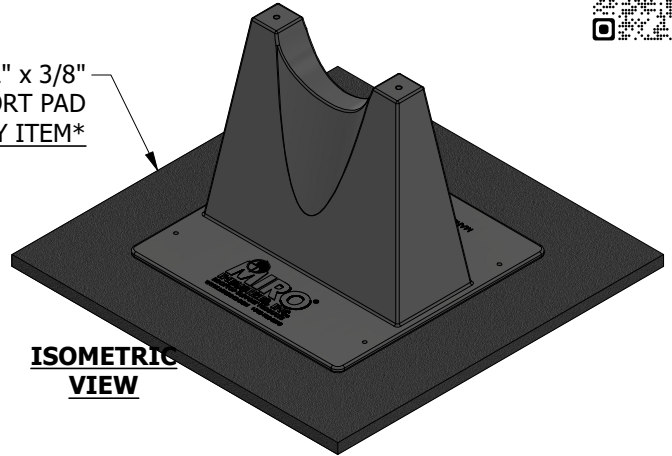
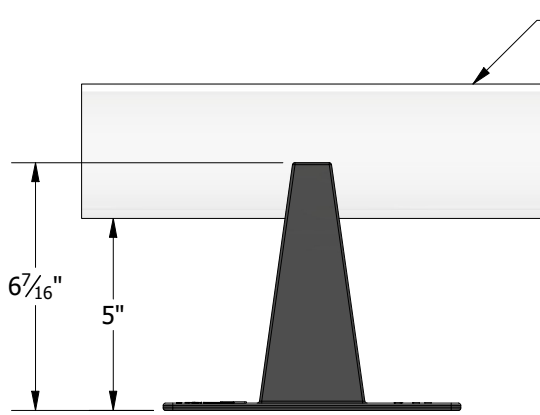


TOP VIEW

12" x 12" x 3/8"
SUPPORT PAD
ACCESSORY ITEM



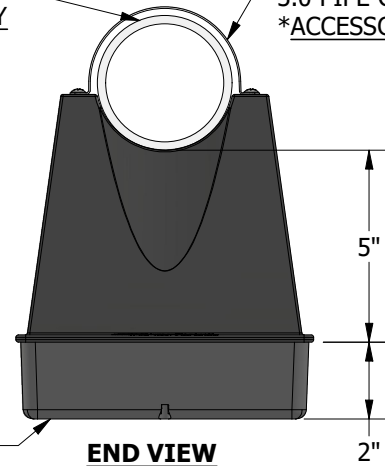
ISOMETRIC VIEW



SIDE VIEW

3" SCH. 40 PIPE
ILLUSTRATION ONLY

3.0 PIPE GUIDE
ACCESSORY ITEM



END VIEW

3-R SPACER
ACCESSORY ITEM

ACCESSORIES

- 3.0 pipe guide
- 3-R spacer
- 12x12 Support pad
- Eternabond® 2-sided tape

PRODUCT DESCRIPTION

A pipe support used to support roof-mounted gas pipes, electrical conduit, solar piping and other mechanical piping.

Unique design absorbs thermal expansion and contraction of pipes thus preventing damage to the roof membrane.

Pipes rest in a 'U' shaped cradle situated in a polycarbonate resin base.

KEY INFORMATION

- Support is optimized to carry up to a 3" pipe.
- Maximum pipe OD for the support is 3.6".
- Pipe clearance is 5"
- 3-R Spacer accessory adds an additional 2" of height per spacer. Manufacturer recommends a maximum of (2) spacer be used.
- Maximum load is 120 lbs. based on 3.0 psi to the roof deck. Even load required.
- Unit Weight: 1.13 lbs.
- 24 per case (20 lbs.)
- Recommended spacing is not to exceed 10' centers depending upon the load.
- 20 Year Warranty

MATERIAL INFORMATION

- Base Material: Polycarbonate