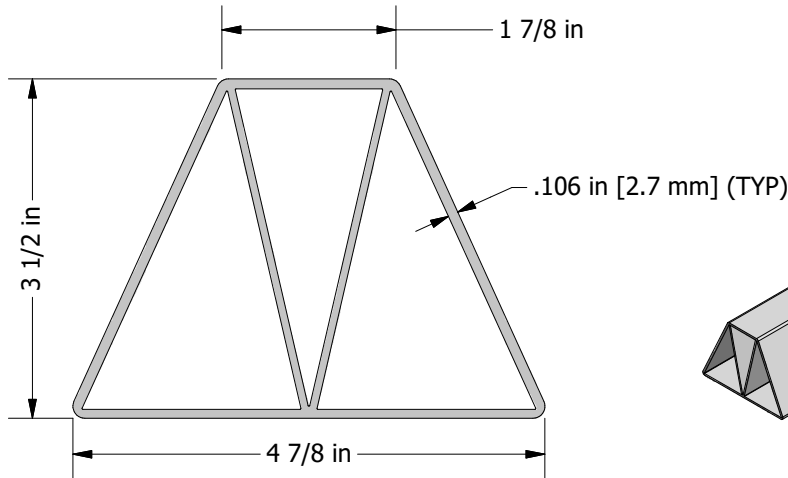


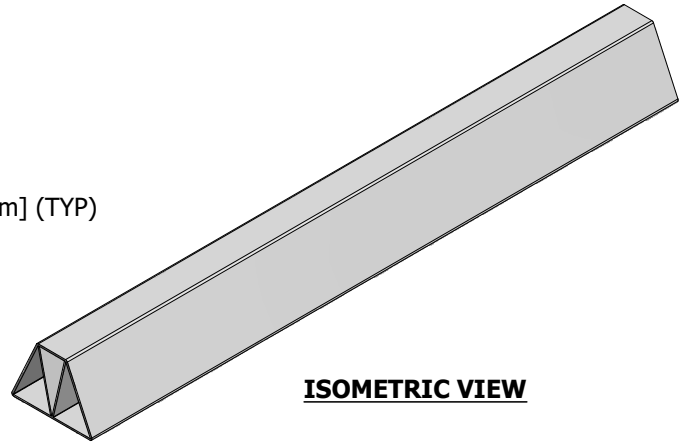
Specification and Data Sheet

RSS-3

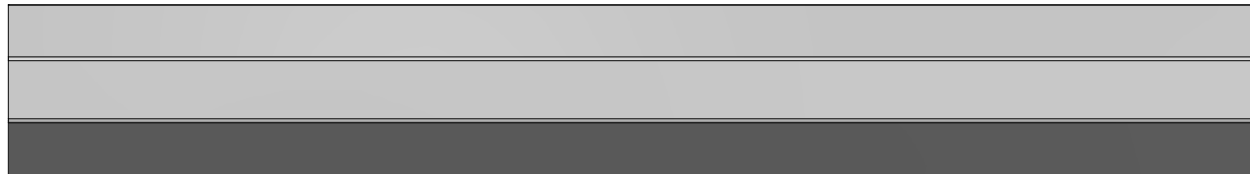
1. **Product Name:** RSS-3
2. **Manufacturer:** ROOFTOP SLEEPER SUPPORT
Address: 844 South 430 West, Suite 100, Heber City, Utah 84032
Phone: (800) 768-6978
Fax: (800) 440-7958
3. **Product Description:** The RSS-3 is a three-foot extruded trapezoidal tube made from 100% recycled PVC designed to be used in a variety of rooftop plumbing support applications.
4. **Product Performance:** The RSS-3 can be cut to desired length using various saws. Water lines, gas lines, conduit, condensate lines and other types of rooftop plumbing can be affixed to the support block using pipe guides, clamps, tab tape and other types of user-provided hardware.
5. **Compatibility:** The RSS-3 is compatible for use with most conventional roofing surfaces. Consult the roofing manufacturer for further details.
6. **Load Weight:** Ultimate loading on the support shall not exceed 50 lbs. per 6" of support. Consult the roofing manufacturer for the maximum allowable load to roof.
7. **Composition and Materials:** The RSS-3 is made of extruded, 100% recycled PVC feedstock.
8. **Size:** The RSS-3 is made in one standard size. The footprint of each unit is 3' by 4-7/8", and each unit is 3-1/2" tall.
9. **Assembly and Installation:** To use the RSS-3, first cut the 3' stick into the desired lengths. To preserve strength and stability, a minimum length of 6" is recommended. Center the plumbing on the length of RSS-3 and attach using the appropriate user-provided hardware.
10. **Spacing:** Space supports in accordance with code or specification requirement for the component being supported. When using the RSS-3 to support pipes, manufacturer recommended spacing is 10 feet on center, not to exceed max load per roofing manufacturer specification or roof consultant.
11. **Availability:** The RSS-3 is marketed throughout the United States.
12. **Maintenance:** Continual maintenance is not required. Semi-annual inspection is recommended to check for proper pipe stand position, pipe alignment, weight distribution and installation. Improper installation may cause pipe stand damage or failure and damage to the pipe or roof surface.
13. **Technical Services:** Please call ROOFTOP SLEEPER SUPPORT: (800) 768-6978 or visit our website www.rooftopsleepersupport.com for any other technical information and for CAD drawing downloads.
14. **Warranty:** Rooftop Sleeper Support shall provide to the original purchaser a limited warranty for each of Rooftop Sleeper Support's products provided under the Sales Terms and Conditions, which can be found at rooftopsleepersupport.com/terms-conditions.html. The terms, limitations and exclusions for the limited warranty for each product are available from Rooftop Sleeper Support upon written request. Rooftop Sleeper Support reserves the right to modify its limited warranty at any time at its sole discretion.



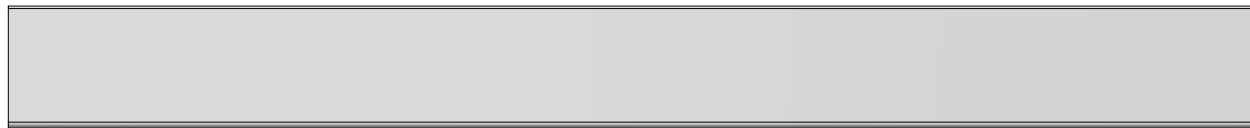
SECTION VIEW



ISOMETRIC VIEW



TOP VIEW



36 in
SIDE VIEW

PRODUCT DESCRIPTION

The RSS-3 Rooftop Sleeper product is designed to support a variety of small electrical pipe, conduit and walkway planks. The RSS-3 is manufactured through a plastic extrusion process using 100% recycled PVC material. The support is designed for installation without roof penetrations, flashing or damage to roofing material and can be used on any commercial roofing system. The RSS-3 is a cost-effective, lightweight solution that can be cut to the desired length. The RSS3 comes in stock lengths of 36" (914.4 mm) and can be cut to length as needed. Suggested minimum length is 6" (152.4 mm) to provide adequate stability.

PIPE CLEARANCE - 3-1/2" (88.7 mm) off the roof.

SUGGESTED ROOFTOP LOADING - Not to exceed 50 lbs. per 6" of support (23 kg per 152.4 mm)

SPACING - Supports should not exceed 10' (3 m) on center.

WARRANTY INFORMATION - Rooftop Sleeper Support shall provide to the original purchaser a limited warranty for each of Rooftop Sleeper Support's products provided under the Sales Terms and Conditions, which can be found at rooftopsleepersupport.com/terms-conditions.html. The terms, limitations and exclusions for the limited warranty for each product are available from Rooftop Sleeper Support upon written request. Rooftop Sleeper Support reserves the right to modify its limited warranty at any time at its sole discretion.